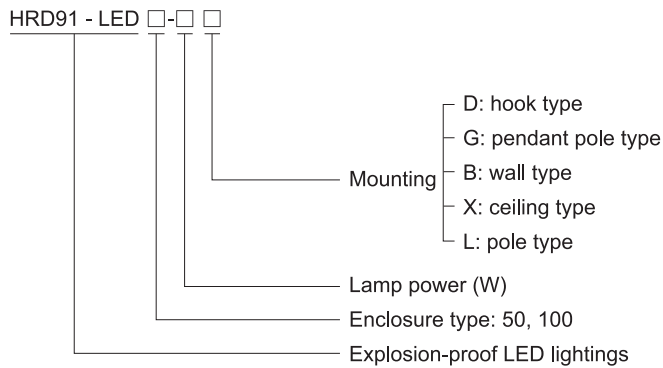


LED Light Fittings HRD91-LED Series Explosion-proof LED Lightings



- ◆ Explosion protection to
 - CENELEC
 - IEC
 - NEC
- ◆ Can be used in
 - Zone 1 and Zone 2
 - Zone 21 and Zone 22
 - Class I, Zone 1 and Zone 2
 - Class I, Division 1, Groups A, B, C, D
- ◆ Two enclosure types: 50, 100
- ◆ Applicable lamp and power (max.100W)
 - LED : 30W, 50W, 70W, 100W
- ◆ Isolated LED lamp compartment, CC-CV (constant current - constant voltage) power controller compartment and terminal compartment; Wind-convection heat dissipation structure
- ◆ Low-maintenance due to long service life of up to 100,000 operating hours.

Catalogue number logic



Selection table

Type / Ordering code	Lamp power(W)
HRD91-LED-50-□ □	30, 50
HRD91-LED-100-□ □	70, 100

Note: 1. Products above include all the mounting accessories listed in Mounting Accessories & Spare Parts Table (see P2/53).
2. The product is supplied according to "Type/Ordering code" in the table with mounting accessories.

Zones 1&2; 21&22

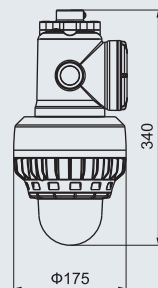
LED Light Fittings

HRD91-LED Series Explosion-proof LED Lightings

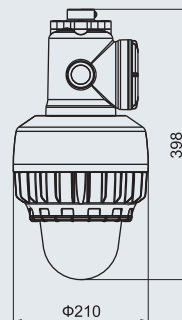


Technical data	
Explosion-proof LED lightings HRD91-LED-□-□□	
Explosion protection	<p>Gas explosion protection $\text{Ex II 2 G Ex db op is IIC T6/T5 Gb}$</p> <p>Dust explosion protection $\text{Ex II 2 D Ex tb op is III C T80°C/T95°C Db IP66}$</p>
Certificates	ATEX and IECEx (applied for)
Conformity to standards	EN 60079-0, EN 60079-1, EN 60079-28, EN 60079-31 IEC 60079-0, IEC 60079-1, IEC 60079-28, IEC 60079-31
Material	
Enclosure	Copper-free aluminium, powder coated surface, yellow (RAL1021)
Transparent cover	Toughened glass, stands 4J impact
Exposed fastener	Stainless steel
LED driver	Wide voltage input, CC-CV (constant current - constant voltage) output, power factor ≥ 0.95 , with function of distributed current, constant current, surge-proof and anti-electromagnetic interference, and protection against overcurrent, open circuit, and short circuit
Lamp	
Lamp specification	LED module, Multiple LED
Lamp power (W)	30W, 50W, 70W, 100W
Colour Temperature (CCT)	5000 \pm 300K Note: cool white is available in general. Warm white (2700~3500K) or nature white (4700~5400K) is optional, please specify when ordering.
Rated voltage	220~240V AC 50/60Hz
Earthing protection	M5 (internal & external earth bolts)
Degree of protection	IP66
Ambient temperature	T6/T80°C for Tamb: -40°C~+45°C T5/T95°C for Tamb: -40°C~+55°C
Terminal	3 x 1.5~4mm ² (L+N+PE)
Mounting	Ceiling type, pole type, pendant pole type, wall type, hook type
Cable entries	M25 x 1.5
Cable gland	See Mounting Accessories & Spare Parts Table
Available cable outer diameter	$\Phi 10 \sim \Phi 14$ (mm)

Dimension drawings (all dimensions in mm) - subject to alteration



HRD91-LED-50



HRD91-LED-100

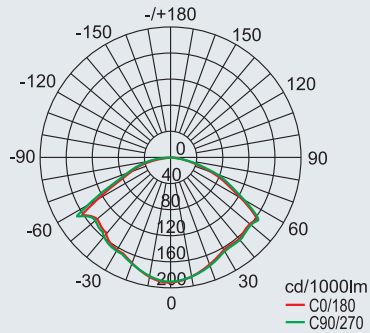
LED Light Fittings HRD91-LED Series Explosion-proof LED Lightings

Photometric data Note: LED luminous flux is from the standard product of which colour temperature is 5000 ± 300K



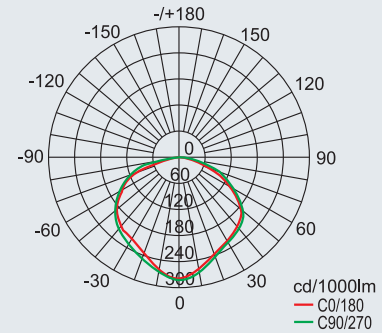
HRD91-LED-50-30-□

Rated luminous flux
30W LED: 3000lm
Luminous efficacy: 100lm/W



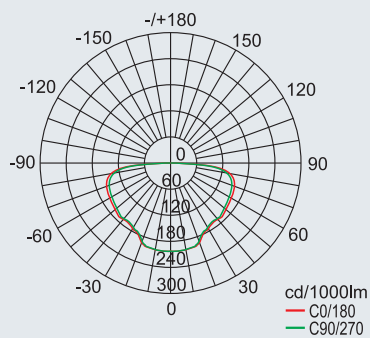
HRD91-LED-100-70-□

Rated luminous flux
70W LED: 7000lm
Luminous efficacy: 100lm/W



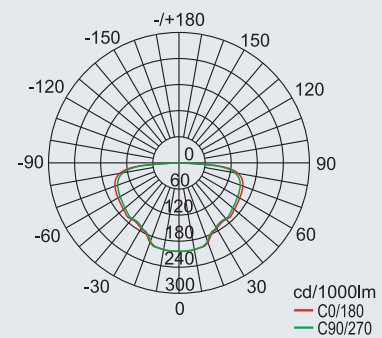
HRD91-LED-50-50-□

Rated luminous flux
50W LED: 5000lm
Luminous efficacy: 100lm/W



HRD91-LED-100-100-□

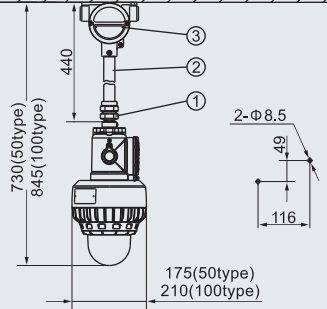
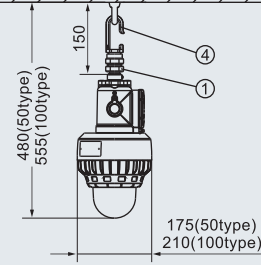
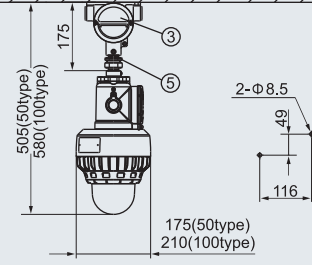
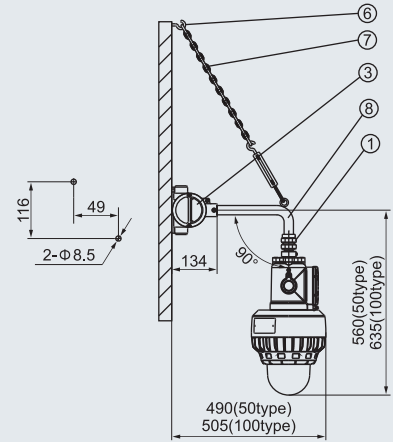
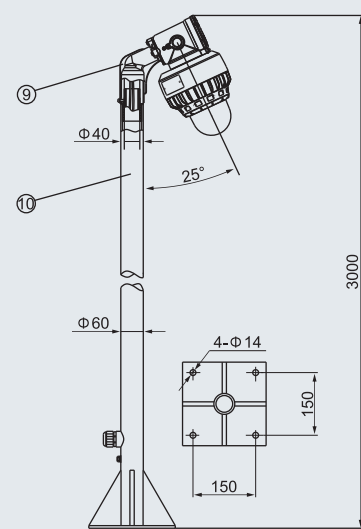
Rated luminous flux
100W LED: 10000lm
Luminous efficacy: 100lm/W



We can provide lighting design and data by professional lighting software DIALUX based upon simulated site situation on request.

LED Light Fittings HRD91-LED Series Explosion-proof LED Lightings

Mounting type (all dimensions in mm) - subject to alteration

G: pendant pole type	D: hook type	X: ceiling type
 <p>Weight: 4.05kg (50type) 6.00kg (100type)</p> <p>Accessories supplied with the light fittings:</p> <ol style="list-style-type: none"> 1. BGJ-III Explosion-proof connector G3/4"(M)/M25×1.5(F), carbon steel. 2. Straight pipe (M25 × 1.5), length: 300mm. 3. BHD51-F (Ex d IIC, copper-free aluminium), see P3/4. 	 <p>Weight: 3.05kg (50type) 5.00kg (100type)</p> <p>Accessories supplied with the light fittings:</p> <ol style="list-style-type: none"> 1. BGJ-III explosion-proof connector G3/4"(M)/M25 × 1.5(F), carbon steel. 4. Hook (carbon steel). 	 <p>Weight: 3.60kg (50type) 5.60kg (100type)</p> <p>Accessories supplied with the light fittings:</p> <ol style="list-style-type: none"> 3. BHD51-F (Ex d IIC, copper-free aluminium), see P3/4. 5. BGJ-III Explosion-proof connector, M25×1.5 (M)/G3/4"(M), carbon steel.
<h3>B: wall type</h3>  <p>Weight: 4.30kg (50type) 6.30kg (100type)</p> <p>Accessories supplied with the light fittings:</p> <ol style="list-style-type: none"> 1. BGJ-III Explosion-proof connector G3/4"(M)/M25×1.5(F), carbon steel. 3. BHD51-F (Ex d IIC, copper-free aluminium), see P3/4. 6. Hook expansion bolt 7. Chain (450 mm) 8. Elbow pipe 90° (M25×1.5) (400 mm) 		<h3>L: pole type</h3>  <p>Weight: 3.05kg (50type) 5.05kg (100type)</p> <p>Accessories supplied with the light fittings:</p> <ol style="list-style-type: none"> 9. Pole type connector 10. Pole (shall be provided by user)

