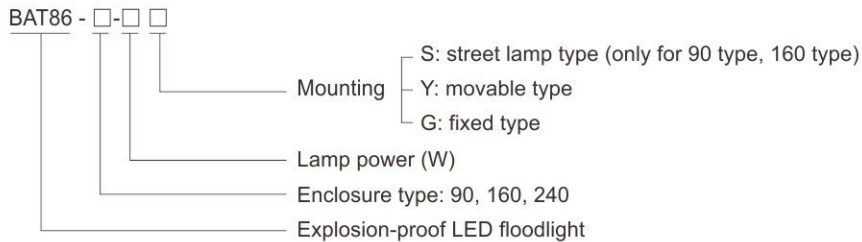


## LED Light Fittings BAT86 Series Explosion-proof LED Floodlights



- ◆ Explosion protection to
  - CENELEC
  - IEC
  - NEC
- ◆ Can be used in
  - Zone 1 and Zone 2
  - Zone 21 and Zone 22
  - Class I, Zone 1 and Zone 2
  - Class I, Division 1, Groups B, C, D
- ◆ Three enclosure types: 90, 160, 240
- ◆ Applicable lamp and power (max.240W)
  - LED: 60W, 90W, 120W, 160W, 200W, 240W
- ◆ Isolated LED lamp compartment, CC-CV (constant current-constant voltage) power controller compartment and terminal compartment; Wind-convection heat dissipation structure.
- ◆ Standard product is of floodlight effect, lens of 60° and 90° can be provided on request to realize spotlight effect.
- ◆ Low-maintenance due to long service life is up to 100,000 operating hours.

### Catalogue number logic



### Selection table

Type / Ordering code	Lamp power(W)	Weight (kg)	Type / Ordering code	Lamp power(W)	Weight (kg)	Type / Ordering code	Lamp power(W)	Weight (kg)
BAT86-90-60G	60	6.70	BAT86-90-60Y	60	8.50	BAT86-90-60S	60	7.55
BAT86-90-90G	90	6.70	BAT86-90-90Y	90	8.50	BAT86-90-90S	90	7.55
BAT86-160-120G	120	13.00	BAT86-160-120Y	120	14.80	BAT86-160-120S	120	13.85
BAT86-160-160G	160	13.00	BAT86-160-160Y	160	14.80	BAT86-160-160S	160	13.85
BAT86-240-160G	160	27.00	BAT86-240-160Y	160	28.70			
BAT86-240-200G	200	28.00	BAT86-240-200Y	200	29.50			
BAT86-240-240G	240	28.00	BAT86-240-240Y	240	29.50			

**Note:** 1. The product is supplied according to "Type/Ordering code" in the table with mounting accessories.  
2. The light fittings are supplied without lens. Lighting distribution is of floodlight. Lens of 60° and 90° can be provided on request. Please specify when ordering.

## Zones 1&2; 21&22

## LED Light Fittings

### BAT86 Series Explosion-proof LED Floodlights

#### Technical data

#### Explosion-proof LED floodlights BAT86-90-□□

##### Explosion protection

Global (IECEX)  
Gas and dust

IECEX CQM 15.0033X

Ex db IIB+H<sub>2</sub> T□<sup>1)</sup> Gb

Ex tb IIIC T□<sup>1)</sup> Db IP65

Europe (ATEX)

EPT 15 ATEX 2300X

Gas and dust

⊕ II 2 G Ex db IIB+H<sub>2</sub> T□<sup>1)</sup> Gb

⊕ II 2 D Ex tb IIIC T□<sup>1)</sup> Db IP65

<sup>1)</sup> See Ambient temperature

##### Certificates

IECEX; ATEX; CU-TR

##### Conformity to standards

EN 60079-0, EN 60079-1, EN 60079-31

IEC 60079-0, IEC 60079-1, IEC 60079-31

##### Material

Copper-free Aluminium Alloy, powder coated surface, yellow (RAL1021)

Glass cover

Toughened glass, stands 4J impact

LED driver

Wide voltage input, CC-CV (constant current - constant voltage) output, power factor ≥ 0.95, with function of distributed current, constant current, surge-proof and anti-electromagnetic interference, and protection against overcurrent, open circuit, and short circuit

Exposed fastener

Stainless steel

##### Lamp

Lamp specification

LED module, Multiple LED

Lamp power (W)

60W, 90W (50W and 70W are optional)

Colour rendering index (Ra)

≥ 70

Colour temperature (CCT)

5700K

Note: cool white is available in general. Warm white or nature white is optional, please specify when ordering.

##### Rated voltage

100~300V AC 50/60Hz

##### Earthing protection

M5 (internal & external earth bolts)

##### Degree of protection

IP65

##### Ambient temperature

T6/T80°C for Tamb: -40°C~+40°C

T5/T95°C for Tamb: -40°C~+55°C

##### Terminal

3 x 1.5~4mm<sup>2</sup> (L+N+PE)

##### Mounting

Movable type, fixed type, street lamp type

##### Cable entries

2 x M25 x 1.5 plugs

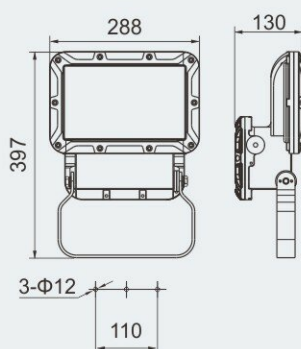
##### Cable gland

DQM-II (Ex d) or DQM-III (Ex d) is recommended. Please see P7/20~31

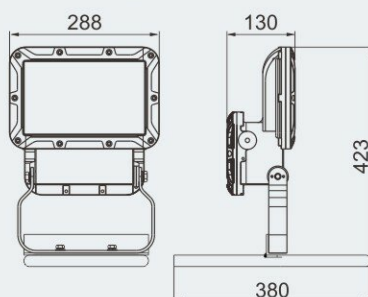


#### Dimension drawings (all dimensions in mm) - subject to alteration

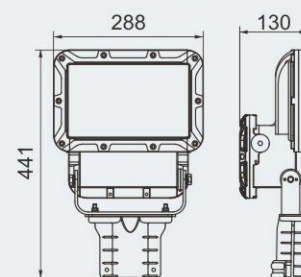
G: fixed type



Y: movable type



S: street lamp type



## LED Light Fittings

### BAT86 Series Explosion-proof LED Floodlights

#### Technical data

#### Explosion-proof LED floodlights BAT86-160-□□

##### Explosion protection

Global (IECEX)  
Gas and dust

Europe (ATEX)  
Gas and dust

IECEX CQM 14.0008X  
Ex d IIB T□<sup>1)</sup> Gb  
Ex tb IIIC T□<sup>1)</sup> Db IP66  
LCIE 14 ATEX 3023X  
⊕ II 2 G Ex d IIB T□<sup>1)</sup> Gb  
⊕ II 2 D Ex tb IIIC T□<sup>1)</sup> Db IP66

<sup>1)</sup> See Ambient temperature

##### Certificates

##### Conformity to standards

IECEX; ATEX; CU-TR  
EN 60079-0, EN 60079-1, EN 60079-31  
IEC 60079-0, IEC 60079-1, IEC 60079-31

##### Material

Enclosure  
Glass cover  
LED driver

Copper-free Aluminium Alloy, powder coated surface, yellow (RAL1021)

Toughened glass, stands 4J impact

Wide voltage input, CC-CV (constant current - constant voltage) output, power factor  $\geq 0.95$ , with function of distributed current, constant current, surge-proof and anti-electromagnetic interference, and protection against overcurrent, open circuit, and short circuit

Exposed fastener

Stainless steel

##### Lamp

Lamp specification  
Lamp power (W)  
Colour rendering index (Ra)  
Colour temperature (CCT)

LED module, Multiple LED  
120W, 160W (100W is optional)  
 $\geq 70$   
5700K

Note: cool white is available in general. Warm white or nature white is optional, please specify when ordering.

##### Rated voltage

100~300V AC 50/60Hz

##### Earthing protection

M5 (internal & external earth bolts)

##### Degree of protection

IP66, IP67(optional)

##### Ambient temperature

120W T6/T80°C for Tamb: -40°C~+40°C  
160W T5/T95°C for Tamb: -40°C~+40°C  
120W T5/T95°C for Tamb: -40°C~+55°C  
160W T4/T130°C for Tamb: -40°C~+55°C

##### Terminal

3 x 1.5~4mm<sup>2</sup> (L+N+PE)

##### Mounting

Movable type, fixed type, street lamp type

##### Cable entries

2 x M25 x 1.5 plugs

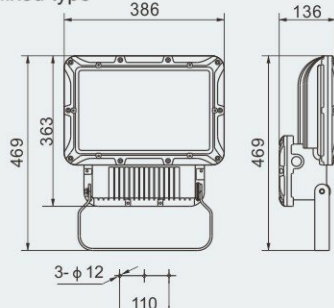
##### Cable gland

DQM-II (Ex d) or DQM-III (Ex d) is recommended. Please see P7/20~31

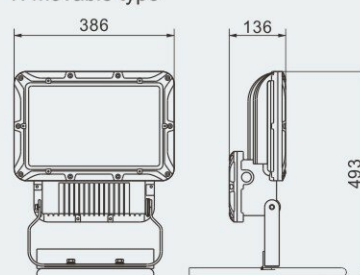


#### Dimension drawings (all dimensions in mm) - subject to alteration

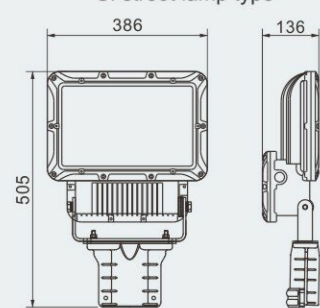
G: fixed type



Y: movable type



S: street lamp type



## LED Light Fittings

### BAT86 Series Explosion-proof LED Floodlights

#### Technical data

#### Explosion-proof LED floodlights BAT86-240-□□

##### Explosion protection

Global (IECEX)

IECEX CML 18.0042X

Gas and dust

Ex db op is IIB+H<sub>2</sub> T□<sup>1)</sup> Gb

Ex tb op is IIIC T□<sup>1)</sup> Db IP66

Europe (ATEX)

CML 18 ATEX 1060X

Gas and dust

Ⓔ II 2 G Ex db op is IIB+H<sub>2</sub> T□<sup>1)</sup> Gb

Ⓔ II 2 D Ex tb op is IIIC T□<sup>1)</sup> Db IP66

<sup>1)</sup> See Ambient temperature

##### Certificates

IECEX; ATEX; CU-TR

##### Conformity to standards

EN 60079-0, EN 60079-1, EN 60079-28, EN 60079-31

IEC 60079-0, IEC 60079-1, IEC 60079-28, IEC 60079-31

##### Material

Enclosure

Copper-free Aluminium Alloy, powder coated surface, yellow (RAL1021)

Glass cover

Toughened glass, stands 4J impact

LED driver

Wide voltage input, CC-CV (constant current - constant voltage) output, power factor ≥ 0.95, with function of distributed current, constant current, surge-proof and anti-electromagnetic interference, and protection against overcurrent, open circuit, and short circuit

Exposed fastener

Stainless steel

##### Lamp

Lamp specification

LED module, Multiple LED

Lamp power (W)

160W, 200W, 240W

Colour rendering index (Ra)

≥ 80

Colour temperature (CCT)

5700K

Note: cool white is available in general. Warm white or nature white is optional, please specify when ordering.

##### Rated voltage

100~277V AC 50/60Hz, 130~250V DC

##### Earthing protection

M5 (internal & external earth bolts)

##### Degree of protection

IP66, IP67 (optional)

##### Ambient temperature

160W T6/T80°C for Tamb: -40°C~+55°C

200W/240W T5/T95°C for Tamb: -40°C~+55°C

200W/240W T6/T80°C for Tamb: -40°C~+40°C

##### Terminal

3 x 1.5~4mm<sup>2</sup> (L+N+PE)

##### Mounting

Movable type, fixed type

##### Cable entries

2 x M25 x 1.5 plugs

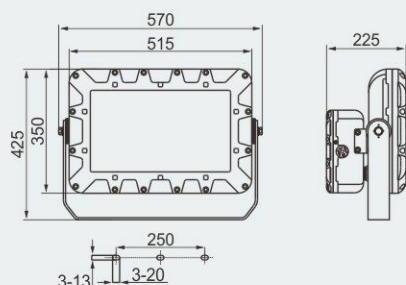
##### Cable gland

DQM-II (Ex d) or DQM-III (Ex d) is recommended. Please see P7/20~31

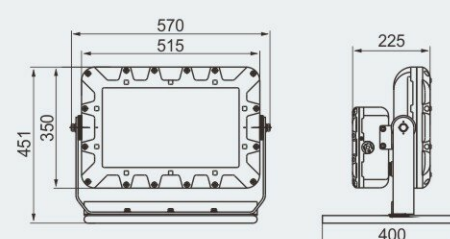


#### Dimension drawings (all dimensions in mm) - subject to alteration

G: fixed type



Y: movable type



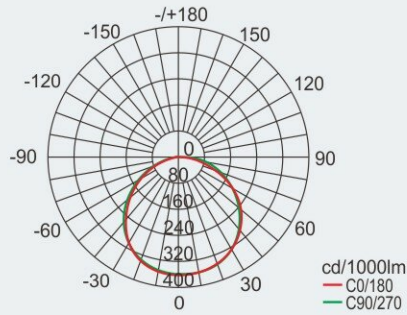
## LED Light Fittings

### BAT86 Series Explosion-proof LED Floodlights

**Photometric data** Note: LED luminous flux is from the standard product of which colour temperature is 5700K (cool white).

#### BAT86-90-□□

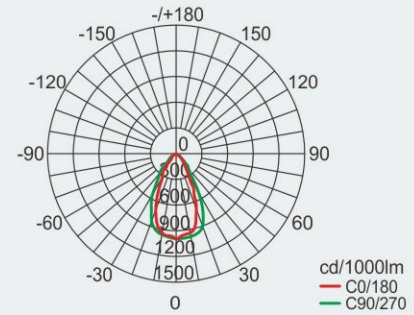
Lamp power (W)	Luminous flux	Wattage	Luminous efficacy
60	6100lm	60W	101lm/W
90	9200lm	91W	101lm/W



#### BAT86-90-□□

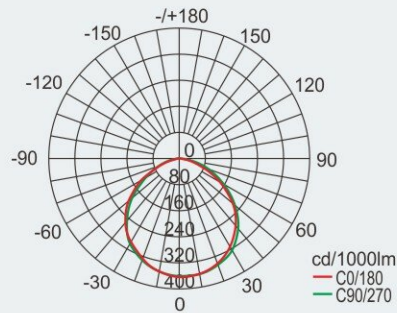
Lamp power (W)	Luminous flux	Wattage	Luminous efficacy
60	6100lm	60W	101lm/W
90	9200lm	91W	101lm/W

Note: Lens of 40° and 25° can be provided on request.



#### BAT86-160-□□

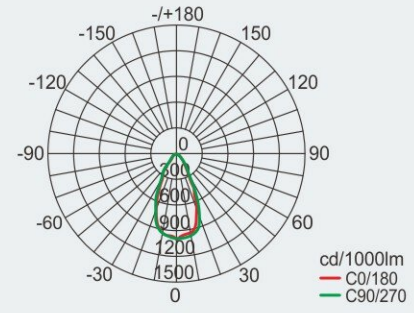
Lamp power (W)	Luminous flux	Wattage	Luminous efficacy
120	13791lm	120W	115lm/W
160	18556lm	160W	116lm/W



#### BAT86-160-□□

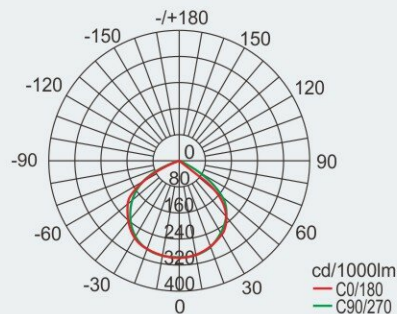
Lamp power (W)	Luminous flux	Wattage	Luminous efficacy
120	13791lm	120W	115lm/W
160	18556lm	160W	116lm/W

Note: Lens of 40° and 25° can be provided on request.



#### BAT86-240-□□

Lamp power (W)	Luminous flux	Wattage	Luminous efficacy
160	18556lm	160W	116lm/W
200	25217lm	203W	124lm/W
240	29418lm	243W	121lm/W



#### BAT86-240-□□

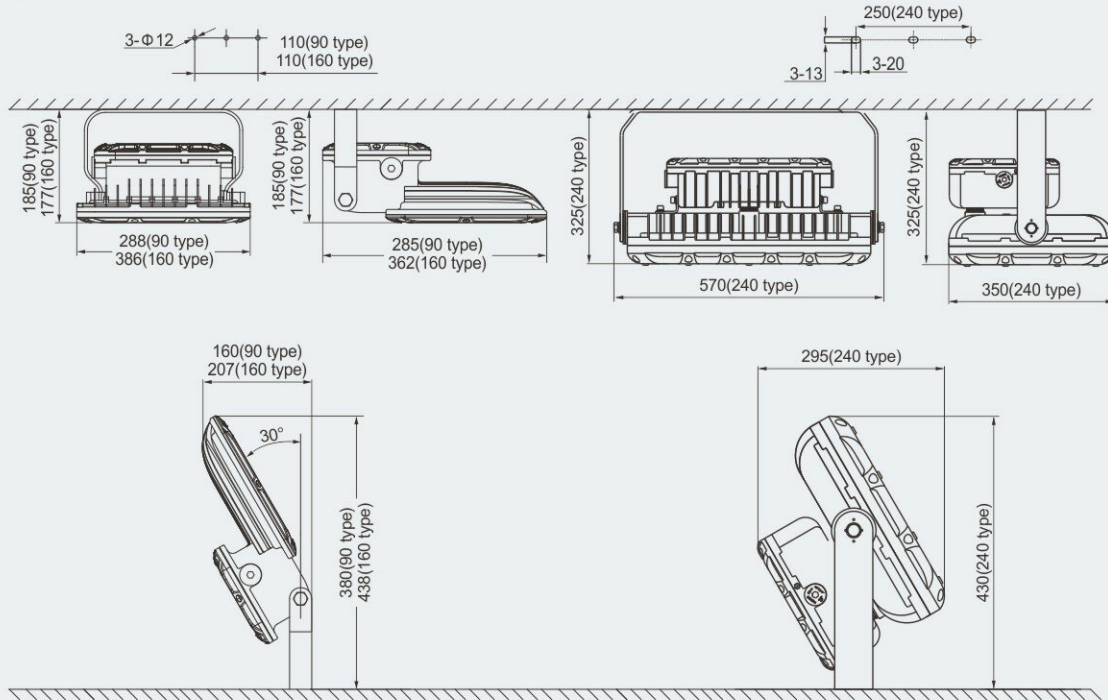
Lamp power (W)	Luminous flux	Wattage	Luminous efficacy
160	18556lm	160W	116lm/W
200	25217lm	203W	124lm/W
240	29418lm	243W	121lm/W

We can provide lighting design and data by professional lighting software DIALUX based upon simulated site situation on request.

## LED Light Fittings BAT86 Series Explosion-proof LED Floodlights

### Mounting type (all dimensions in mm) - subject to alteration

#### bracket type



#### street lamp type

