

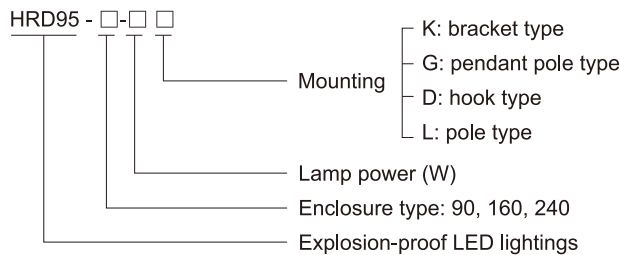
## LED Light Fittings

### HRD95 Series Explosion-proof LED Lightings



- ◆ Explosion protection to
  - CENELEC
  - IEC
  - NEC
- ◆ Can be used in
  - Zone 1 and Zone 2
  - Zone 21 and Zone 22
  - Class I, Zone 1 and Zone 2
  - Class I, Division 2, Groups A, B, C, D
- ◆ Three enclosure types: 90, 160, 240
- ◆ Applicable lamp and power (max.240W)  
LED: 60W, 90W, 120W, 160W, 200W, 240W
- ◆ Isolated LED lamp compartment, CC-CV (constant current - constant voltage) power controller compartment and terminal compartment; Wind-convection heat dissipation structure.
- ◆ International brand white light LED, reasonable arrangement of multi LED, high lighting efficiency and long service life.
- ◆ Two types of light distribution: spotlight and floodlight, which can be selected on request.

#### Catalogue number logic



#### Selection table

Type / Ordering code	Lamp power(W)	Weight (kg)	Type / Ordering code	Lamp power(W)	Weight (kg)	Type / Ordering code	Lamp power(W)	Weight (kg)	Type / Ordering code	Lamp power(W)	Weight (kg)
HRD95-90-60K	60	9.20	HRD95-90-60G	60	10.20	HRD95-90-60D	60	9.20	HRD95-90-60L	60	9.00
HRD95-90-90K	90	9.20	HRD95-90-90G	90	10.20	HRD95-90-90D	90	9.20	HRD95-90-90L	90	9.00
HRD95-120-120K	120	13.05	HRD95-120-120G	120	13.75	HRD95-120-120D	120	12.75	HRD95-120-120L	120	12.50
HRD95-160-160K	160	13.05	HRD95-160-160G	160	13.75	HRD95-160-160D	160	12.75	HRD95-160-160L	160	12.50
HRD95-240-200K	200	23.50	HRD95-240-200G	200	23.40	HRD95-240-200D	200	22.50	HRD95-240-200L	200	22.30
HRD95-240-240K	240	23.50	HRD95-240-240G	240	23.40	HRD95-240-240D	240	22.50	HRD95-240-240L	240	22.30

**Note:** 1. The product is supplied according to "Type/Ordering code" in the table with mounting accessories.  
2. Two types of light distribution: spotlight and floodlight. The light fittings are supplied without lens. Lighting distribution is of floodlight. If required, please specify when ordering.

## LED Light Fittings

### HRD95 Series Explosion-proof LED Lightings

#### Technical data

#### Explosion-proof LED lightings HRD95-90-□□

##### Explosion protection

Gas explosion protection

⊕ II 2 G Ex db IIC T6 Gb

Dust explosion protection

⊕ II 2 D Ex tb IIIC T80°C Db IP66

##### Certificates

ATEX and IECEx (applied for)

##### Conformity to standards

EN 60079-0, EN 60079-1, EN 60079-31

IEC 60079-0, IEC 60079-1, IEC 60079-31

##### Material

Enclosure

Copper-free aluminium, powder coated surface, yellow (RAL1021)

Glass cover

Toughened glass, stands 4J impact

Exposed fastener

Stainless steel

LED driver

Wide voltage input, CC-CV (constant current - constant voltage) output, power factor  $\geq 0.95$ , with function of distributed current, constant current, surge-proof and anti-electromagnetic interference, and protection against overcurrent, open circuit, and short circuit

##### Lamp

Lamp specification

LED module, Multiple LED

Lamp power (W)

60W, 90W

Colour Temperature (CCT)

Cool white: 5400~6500K

Note: cool white is available in general. Warm white (2700~3500K) or nature white (4700~5400K) is optional, please specify when ordering.

##### Rated voltage

100~277V AC 50/60Hz

##### Earthing protection

M5 (internal & external earth bolts)

##### Degree of protection

IP66, IP67(optional)

##### Ambient temperature

-40°C~+55°C

##### Terminal

3 x 1.5~4mm<sup>2</sup> (L+N+PE)

##### Mounting

bracket type, hook type, pole type, pendant pole type

##### Cable entries

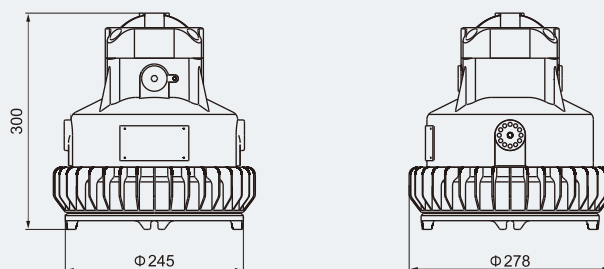
1 x M25 x 1.5 (hook type, pole type, pendant pole type)

2 x M25 x 1.5 (bracket type)

##### Cable gland

DQM-II (Ex d) or DQM-III (Ex d) is recommended. Please see P7/20~27

#### Dimension drawings (all dimensions in mm) - subject to alteration



## LED Light Fittings

### HRD95 Series Explosion-proof LED Lightings

#### Technical data

#### Explosion-proof LED lightings HRD95-160-□□

##### Explosion protection

Gas explosion protection

Ex II 2 G Ex db IIC T5 Gb

Dust explosion protection

Ex II 2 D Ex tb IIIC T95°C Db IP66

##### Certificates

ATEX and IECEx (applied for)

##### Conformity to standards

EN 60079-0, EN 60079-1, EN 60079-31

IEC 60079-0, IEC 60079-1, IEC 60079-31

##### Material

Enclosure

Copper-free aluminium, powder coated surface, yellow (RAL1021)

Glass cover

Toughened glass, stands 4J impact

Exposed fastener

Stainless steel

LED driver

Wide voltage input, CC-CV (constant current - constant voltage) output, power factor  $\geq 0.95$ , with function of distributed current, constant current, surge-proof and anti-electromagnetic interference, and protection against overcurrent, open circuit, and short circuit

##### Lamp

Lamp specification

LED module, Multiple LED

Lamp power (W)

120W, 160W

Colour Temperature (CCT)

Cool white: 5400~6500K

Note: cool white is available in general. Warm white (2700~3500K) or nature white (4700~5400K) is optional, please specify when ordering.

##### Rated voltage

100~277V AC 50/60Hz

##### Earthing protection

M5 (internal & external earth bolts)

##### Degree of protection

IP66, IP67(optional)

##### Ambient temperature

-40°C~+55°C

##### Terminal

3 x 1.5~4mm<sup>2</sup> (L+N+PE)

##### Mounting

bracket type, hook type, pole type, pendant pole type

##### Cable entries

1 x M25 x 1.5 (hook type, pole type, pendant pole type)

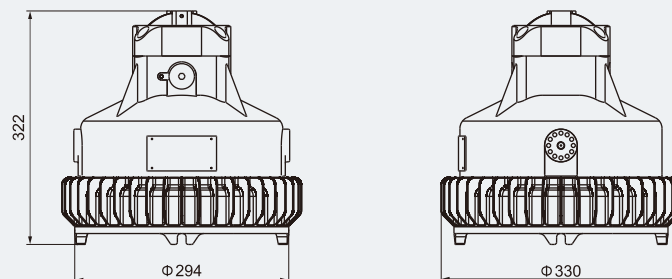
2 x M25 x 1.5 (bracket type)

##### Cable gland

DQM-II (Ex d) or DQM-III (Ex d) is recommended. Please see P7/20~27



#### Dimension drawings (all dimensions in mm) - subject to alteration



## LED Light Fittings

### HRD95 Series Explosion-proof LED Lightings

#### Technical data

#### Explosion-proof LED lightings HRD95-240-□□

##### Explosion protection

Gas explosion protection

⊕ II 2 G Ex db IIC T5 Gb

Dust explosion protection

⊕ II 2 D Ex tb IIIC T95°C Db IP66

##### Certificates

ATEX and IECEx (applied for)

##### Conformity to standards

EN 60079-0, EN 60079-1, EN 60079-31

IEC 60079-0, IEC 60079-1, IEC 60079-31

##### Material

Enclosure

Copper-free aluminium, powder coated surface, yellow (RAL1021)

Glass cover

Toughened glass, stands 4J impact

Exposed fastener

Stainless steel

LED driver

Wide voltage input, CC-CV (constant current - constant voltage) output, power factor  $\geq 0.95$ , with function of distributed current, constant current, surge-proof and anti-electromagnetic interference, and protection against overcurrent, open circuit, and short circuit

##### Lamp

Lamp specification

LED module, Multiple LED

Lamp power (W)

200W, 240W

Colour Temperature (CCT)

Cool white: 5400~6500K

Note: cool white is available in general. Warm white (2700~3500K) or nature white (4700~5400K) is optional, please specify when ordering.

##### Rated voltage

100~277V AC 50/60Hz

##### Earthing protection

M5 (internal & external earth bolts)

##### Degree of protection

IP66, IP67(optional)

##### Ambient temperature

-40°C~+55°C

##### Terminal

3 x 1.5~4mm<sup>2</sup> (L+N+PE)

##### Mounting

bracket type, hook type, pole type, pendant pole type

##### Cable entries

1 x M25 x 1.5 (hook type, pole type, pendant pole type)

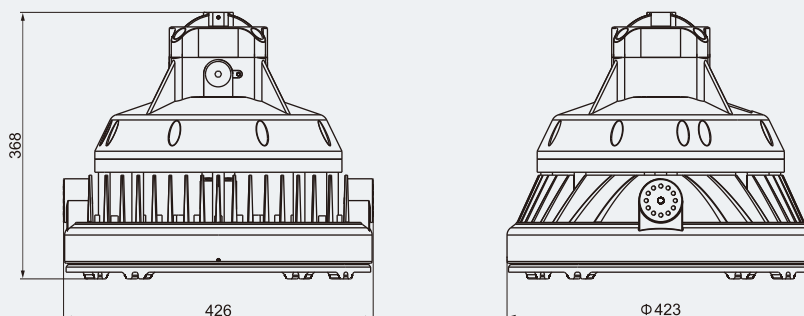
2 x M25 x 1.5 (bracket type)

##### Cable gland

DQM-II (Ex d) or DQM-III (Ex d) is recommended. Please see P7/20~27



#### Dimension drawings (all dimensions in mm) - subject to alteration

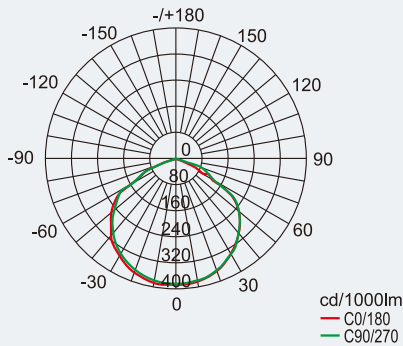


## LED Light Fittings HRD95 Series Explosion-proof LED Lightings

**Photometric data** Note: LED luminous flux is from the standard product of which colour temperature is 5400 to 6500K (cool white).

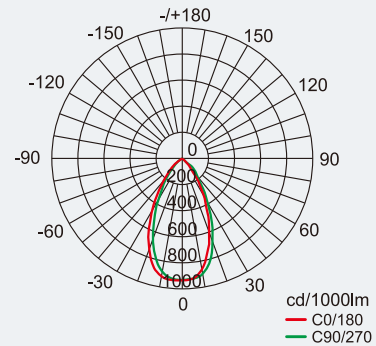
### HRD95-90-□□(Standard products without lens)

Rated luminous flux  
60W LED: 6120lm  
90W LED: 9200lm



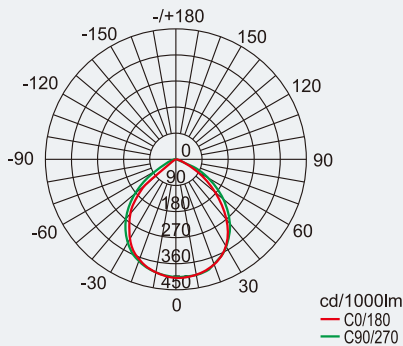
### HRD95-90-□□(With 60° lens)

Rated luminous flux  
60W LED: 6120lm  
90W LED: 9200lm  
Note: Lens of 40° and 25° can be provided on request.



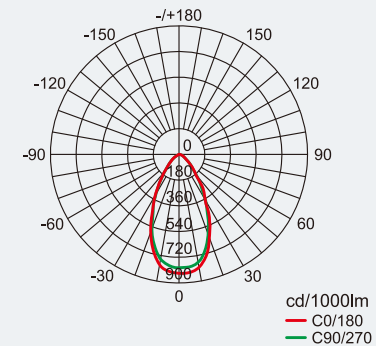
### HRD95-160-□□(Standard products without lens)

Rated luminous flux  
120W LED: 12200lm  
160W LED: 16300lm



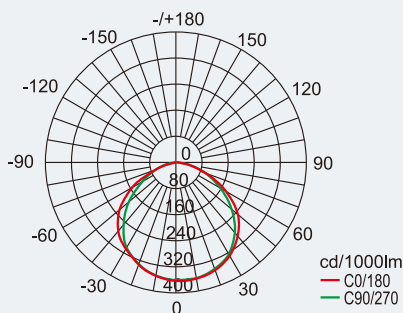
### HRD95-160-□□(With 60° lens)

Rated luminous flux  
120W LED: 12200lm  
160W LED: 16300lm  
Note: Lens of 40° and 25° can be provided on request.



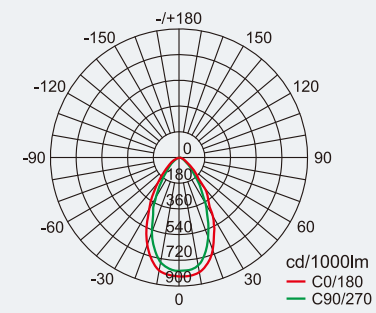
### HRD95-200-□□(Standard products without lens)

Rated luminous flux  
200W LED: 20500lm  
2400W LED: 24500lm



### HRD95-240-□□(With 60° lens)

Rated luminous flux  
200W LED: 20500lm  
2400W LED: 24500lm  
Note: Lens of 40° and 25° can be provided on request.



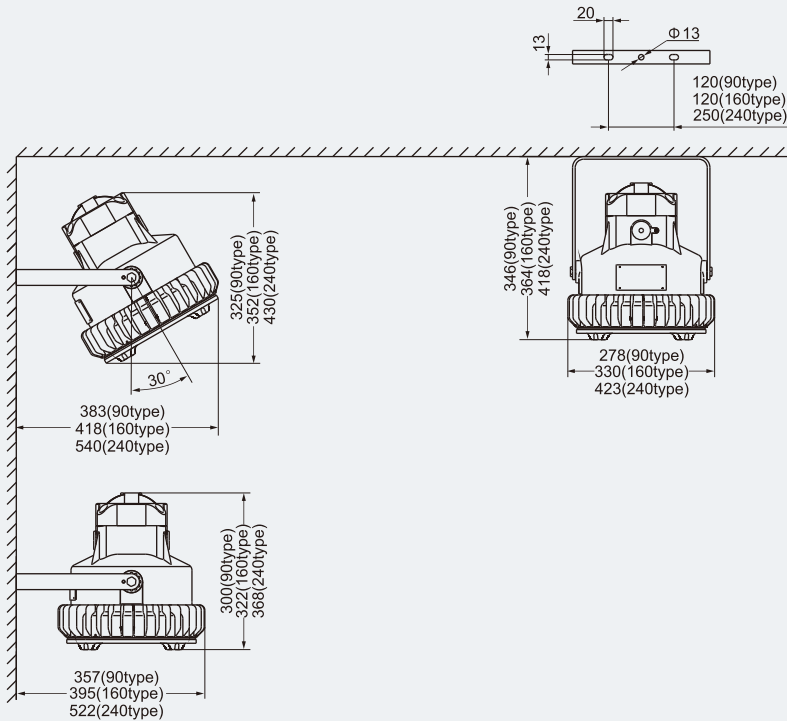
We can provide lighting design and data by professional lighting software DIALUX based upon simulated site situation on request.



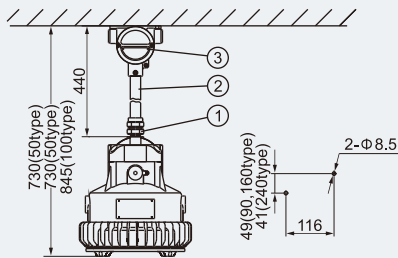
## LED Light Fittings HRD95 Series Explosion-proof LED Lightings

### Mounting type (all dimensions in mm) - subject to alteration

K: bracket type



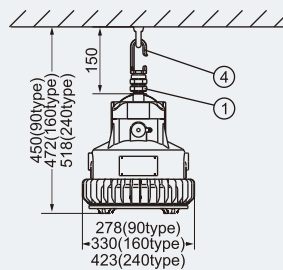
G: pendant pole type



Accessories supplied with the light fittings:

- ①. BGJ-III explosion-proof connector M25×1.5(M)/M25×1.5(F), carbon steel.
- ②. Straight pipe (M25 x 1.5), length: 300mm.
- ③. BHD51-F (for 90 type and 160 type: copper-free aluminium; for 240 type: cast iron), see P3/4.

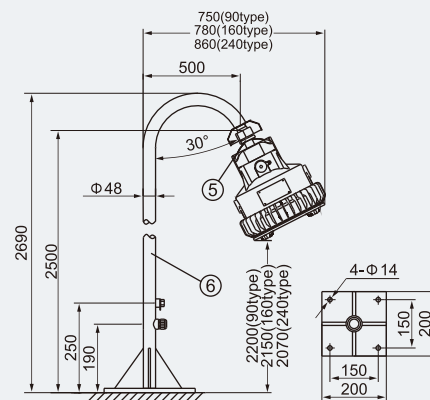
D: hook type



Accessories supplied with the light fittings:

- ①. BGJ-III explosion-proof connector M25×1.5(M)/M25×1.5(F), carbon steel.
- ④. Hook (carbon steel).

L: pole type



Accessories supplied with the light fittings:

- ⑤. BGJ-III explosion-proof connector M25×1.5(M)/M25×1.5(M), carbon steel.
- ⑥. Pole (shall be provided by user).

