

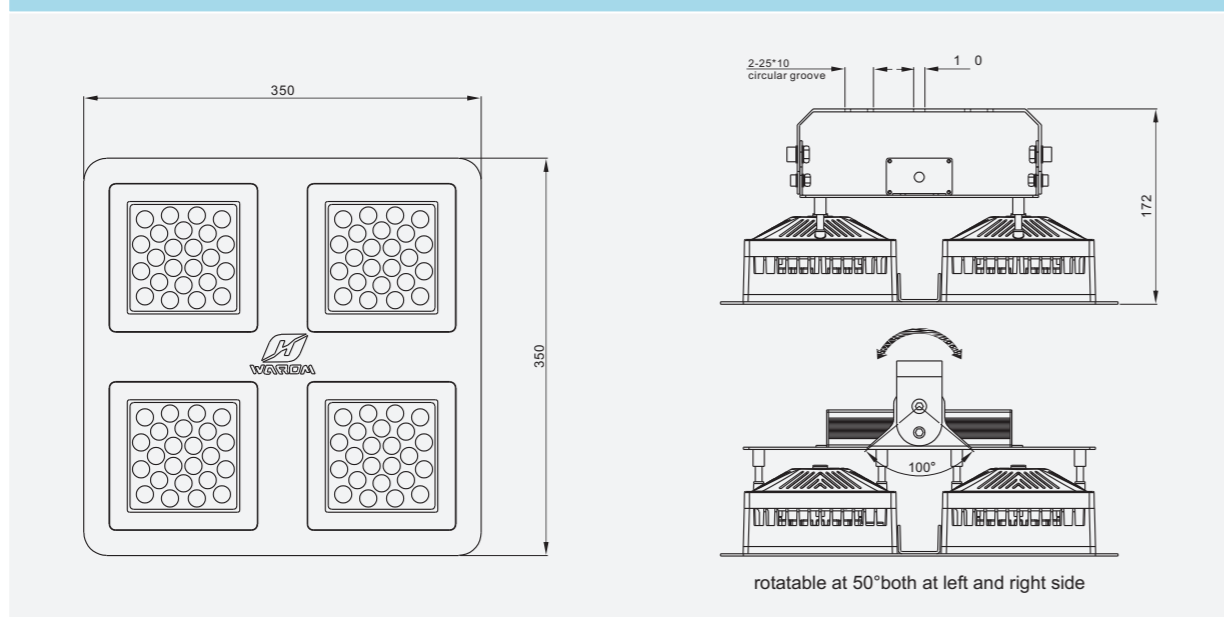


Product model	HR5201-100	HR5201-120	HR5201-150
LED quantity	96pcs (CREE)		
Rated power	100W	120W	150W
Input voltage	AC90-265V 50/60Hz		
Power factor	≥0.95		
Total harmonic distortion (THD)	< 20%		
Color temperature(K)	6000K/4000K/3000K		
Color rendering index(Ra)	≥80		
LED illumination efficacy(Lm/W)	130/120/110		
Initial luminous lux(Lm)	9000/8500/8000	10800/10200/9600	13500/12750/12000
Ambient temperature	-25°C ~ +55°C		
Ambient humidity	10%-90%		
Working life	> 50000H		
Protection degree	IP65		
Mounting height	8-20m		
Net weight(Kg)	6.5		
Gross weight(Kg)	7.5		
Dimension of light fittings	350*350*172mm		
Packing dimension	520*520*330mm		

HR5201 LED FACTORY LIGHTS

100W / 120W / 150W

Product Dimension



Light Distribution Curve :

