

# LED MINING LAMP

## LED MINING LAMP 工矿灯



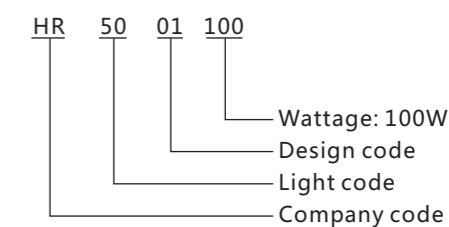
### HR5001

100W / 150W / 200W / 300W / 400W / 500W

#### Product Features :

- Combined fins and copper pipe heat dissipation mode and cool natural wind increase heat dissipation area, together with aluminum substrate heat dissipation structure, to guarantee terrific heat dissipation performance, high impact resistance.
- Anodization and corrosion-proof treatment for light surface, tight and beautiful structure, good corrosion-proof ,weather-proof ,dust-proof performance.
- Surface mounting type for LED particles, low energy consumption, high luminous efficiency, low power consumption.
- Pure aluminium scrub reflector, high luminous efficiency and reflectivity,wide irradiation area, homogeneous illuminance, no directivity.
- External constant current drive power, safe and no interference.
- Can be equipped with intelligent centralized lighting system.

#### Model :



#### Application Area :

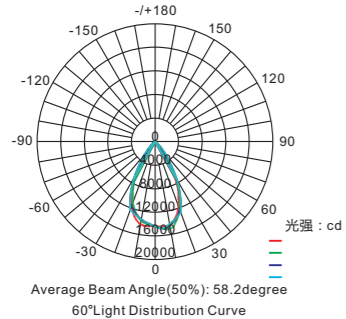
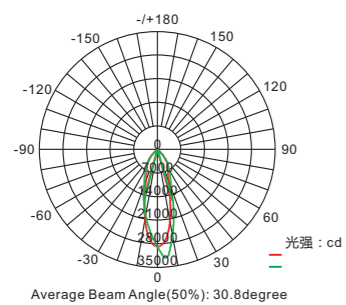
- Widely used in workshop, plant, warehouse, road toll station,supermarket, exhibition hall, stadium etc..



## HR5001 LED MINING LAMP

100W / 150W / 200W / 300W / 400W / 500W

### Light Distribution Curve :



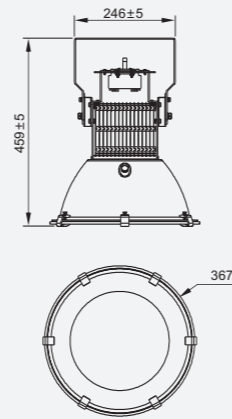
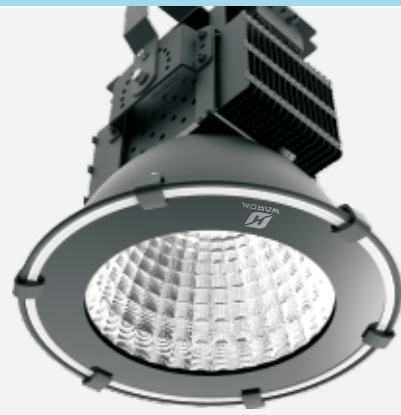
- 216° adjustable angle**  
Thirteen bracket adjustable points, angle can be adjusted to 216°.
- Copper pipe**  
Heat dissipation technology of riveting fins and copper pipe, conduct light radiation heat to fins in superior heat-conducting performance, rapidly reduce temperature and lengthen life time of lamp source.
- Diffuser Breather**  
Weather-proof, eliminate fog and moisture condensation, improve product quality, lengthen life time.
- 92% Reflectivity of reflector**  
62°reflecting angle, 92% reflectivity.

Product model	HR5001-100	HR5001-150	HR5001-200	HR5001-300	HR5001-400	HR5001-500
LED quantity	60pcs ( CREE )	88pcs ( CREE )	120pcs ( CREE )	164pcs ( CREE )	260pcs ( CREE )	300pcs ( CREE )
Rated power	100W	150W	200W	300W	400W	500W
Input voltage	AC100-240V 50/60Hz					
Power factor	≥0.98					
Total harmonic distortion (THD)	< 20%					
Color temperature(K)	6000K/4000K/3000K					
Color rendering index(Ra)	≥80					
LED illumination efficacy(Lm/W)	130/120/110					
Initial luminous lux(Lm)	9000/8500/8000	13500/12750/12000	18000/17000/16000	27000/25500/24000	36000/34000/32000	45000/42500/40000
Ambient temperature	-25°C ~ +55°C					
Ambient humidity	10%-90%					
Working life	> 50000H					
Protection degree	IP65					
Mounting height	6-10m	10-15m	12-18m	15-20m	18-30m	30-40m
Net weight(Kg)	6.20	7.90	6.96	7.90	9.10	10.30
Gross weight(Kg)	7.00	8.50	7.80	9.00	10.00	11.50
Dimension of light fittings	Φ367x459mm	Φ367x459mm	Φ367x467mm	Φ367x459mm	Φ367x497mm	Φ367x497mm
Packing dimension	460x460x545mm	460x460x545mm	460x460x545mm	460x460x545mm	465x465x555mm	485x485x555mm



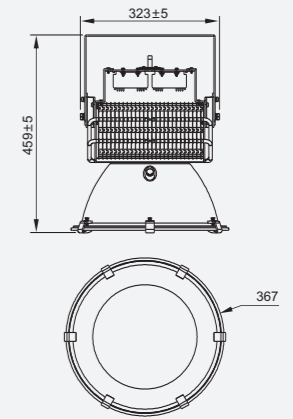
HR5001-100

Product Dimension



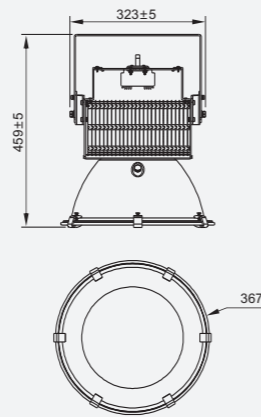
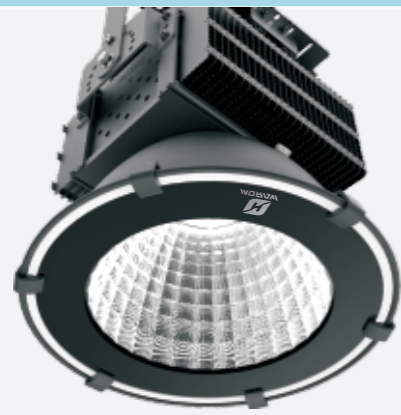
HR5001-300

Product Dimension



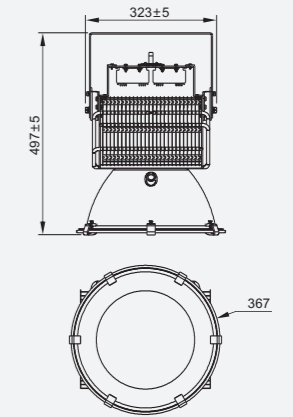
HR5001-150

Product Dimension



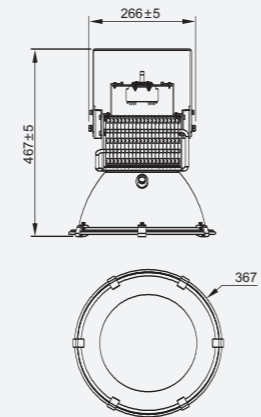
HR5001-400

Product Dimension



HR5001-200

Product Dimension



HR5001-500

Product Dimension

