

## LED POINT LIGHT SOURCE 点光源



### HR3501 / HR3511

6W / 12W / 24W

#### Product Features :

- Tight weatherproof structure, high sealing tightness, durable.
- Beam in the middle can discolor to red, green, blue, beam in side can discolor to the same color, rich imagination for designers.
- International first class brand LED lamp with good performance.

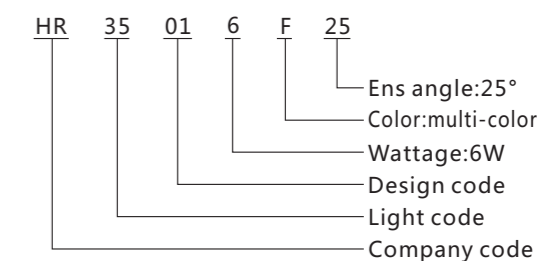
#### Light Material :

- Aluminium alloy body, powder coated polyester, stainless steel fastener.

#### Application Area :

- Widely used in elevation etc..

#### Model :



Note: F-multi-color,R-red, G-green, B-Blue,Z-white,N-warm white

# LED POINT LIGHT SOURCE

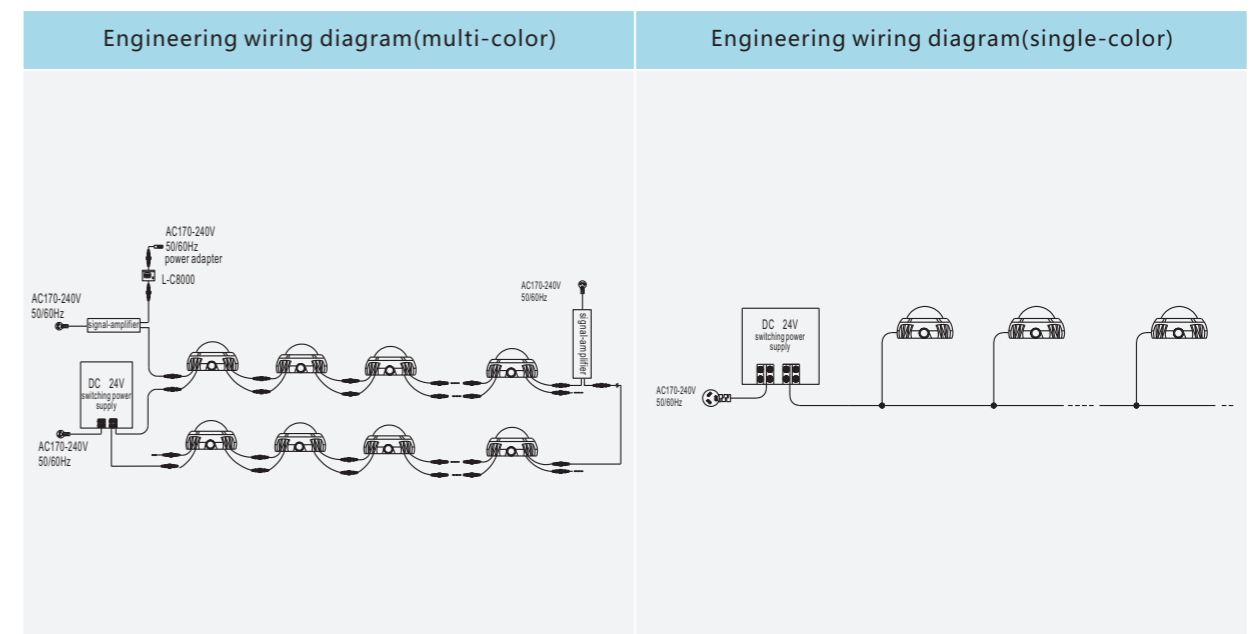
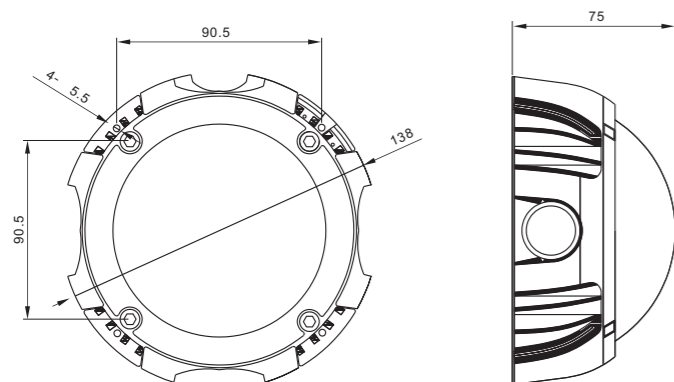


Product model	HR3501-6	HR3501-12	HR3501-24
LED quantity	4PCS 1W+6PCS 0.3W	4PCS 3W+6PCS 0.3W	4PCS 3W+24PCS 0.5W
Power	6W	12W	24W
Voltage	DC24V		
Single LED power	1-3W/SMD0.3W		
Working life	> 50000H		
LED color	RGB three-in-one discoloration, red, yellow, blue, green, white		
Color effect	chasing, watercourse, 256 grayscale, full color		
Beam angle	The side Irradiation angle 25°		
LED driving method	constant current driving : 330mA		
Protection degree	IP65		
Electrical safety level	DC24V Category III		
Power line	DC24V 2*1.0 mm <sup>2</sup> rubber thread		
Signal line	2*0.35+1*0.5mm <sup>2</sup> signal connector		
Controlling method	standard DMX512		
Ambient temperature	-25°C ~ +55°C		

## HR3501 LED POINT LIGHT SOURCE

6W / 12W / 24W

### Product Dimension :





Product model	HR3511-6	HR3511-12	HR3511-15
LED quantity	6PCS	12PCS	15PCS
Power	6W	12W	15W
Voltage	DC24V		
Single LED power	1-3W/SMD0.3W		
Working life	> 50000H		
LED color	RGB three-in-one discoloration, red, yellow, blue, green, white		
Color effect	chasing, watercourse, 256 grayscale, full color		
LED driving method	constant current driving : 330mA		
Protection degree	IP65		
Electrical safety level	DC24V Category III		
Power line	DC24V 2*1.0 mm <sup>2</sup> rubber thread		
Signal line	2*0.35+1*0.5mm <sup>2</sup> signal connector		
Controlling method	standard DMX512		
Ambient temperature	-25°C ~ +55°C		

## HR3511 LED POINT LIGHT SOURCE

6W / 12W / 15W

Product Dimension :

