

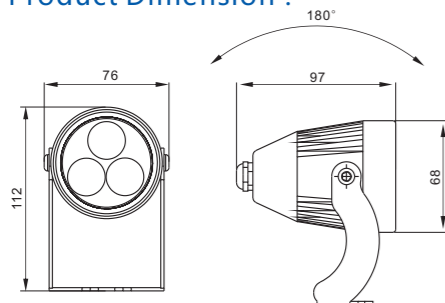


Product model	HR3201-3	HR3201-6	HR3201-9
LED quantity	3PCS		
Power	3W	6W	9W
Voltage	ACDC24V/AC220V		
Single LED power	1-3W		
Working life	> 50000H		
LED color	RGB three-in-one discoloration, red, yellow, blue, green, white		
Color effect	chasing, watercourse, 256 grayscale, full color		
Beam angle	optional: 6°/10°/15°/25°/40°/60°		
LED driving method	constant current driving : 330mA		
Protection degree	IP65		
Electrical safety level	DC24V Category III/AC220V Category I		
Power line	DC24V 2*1.5mm ² rubber thread /AC220V 3*0.75mm ² rubber thread		
Signal line	2*0.35+1*0.5mm ² signal connector		
Controlling method	standard DMX512		
Ambient temperature	-25°C ~ +55°C		

HR3201 LED CONICAL SPOTLIGHT

3W / 6W / 9W

Product Dimension :



Specifications for Fixation Clamp and Bracket :

