

FZM 系列防水防尘防腐照明开关

Series Weatherproof Illumination Switches



Waterproof



Dustproof



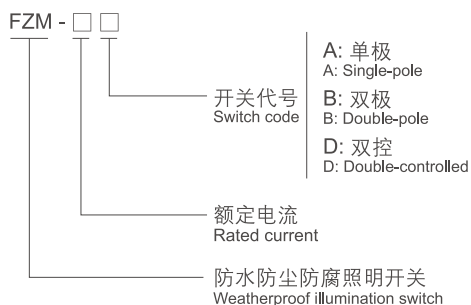
Corrosionproof

Weatherproof Electrical Appliances
防水 防尘 防腐 电器 系列



GB IEC EN

◆ 型号规格含义/Catalogue Number Logic



◆ 订货须知/Ordering information

- ◆ 须注明完整型号规格，内装元件为一常开或二常开或一开一闭触点开关；
- ◆ 电缆布线（钢管布线请注明）。
- ◆ Specify the complete type and specifications. Built-in component is one NO, or two NO or ON-OFF contact switch.
- ◆ Cable wiring (please specify if steel pipe wiring is required).

选型表/Selection table

型号规格 / Type	FZM-10A	FZM-10B	FZM-10D
触点组合型式 combination type of contact			
种类 / Switch code	单极 / single-pole	双极 / double-pole	双控 / double-control

◆ 技术参数/Technical parameters

执行标准 Executive standards	中国标准 Chinese National Standards	国际标准 International standards 欧盟标准/European standards	北美标准 American standards
工作电压 / Working voltage	250V	250V	277V
额定电流 / Rated current	10A		
防护等级 / Degree of protection	IP65		
防腐等级 / Corrosion-proof	WF2		
进线口螺纹 Thread for inlet and outlet	M25 × 1 5引入口规格 / Cable entry		
电缆外径 / Cable outer diameter	适合Φ9mm~Φ16mm电缆 Suitable for cable of Φ9mm~Φ16mm		



Waterproof



Dustproof



Corrosionproof

Weatherproof Electrical Appliances
防水防尘防腐电器系列

◆ 产品特色/Product features

- ◇ 本产品采用增强玻璃纤维不饱和聚酯树脂材料,模压成型,外形美观。具有抗老化、不变形、抗冲击、耐腐蚀等优点;
- ◇ 所有外露紧固件均采用不锈钢,密封件采用硅橡胶,耐油、耐酸、耐碱、耐高温、抗老化;
- ◇ 本系列产品为迷宫式防水结构,具有良好的防水、防尘性能;
- ◇ 本系列产品抗强酸、强碱、盐、海水、氯离子腐蚀。
- ◇ The product is made of glass fiber reinforced unsaturated polyester resin, compression molding, with beautiful appearance, anti-aging, deformation-free, impact resistance and corrosion resistance etc..
- ◇ All exposed fasteners are made of stainless steel. Sealing parts are made of silicone rubber, with anti-oil, anti-acid, anti-alkali, high temperature resistance and ageing resistance.
- ◇ Labyrinth waterproof structure, good waterproof and dustproof performance;
- ◇ The product has strong acid and strong alkali resistance, anti-salt, anti-seawater and chloridion corrosion resistance.

◆ 外形及安装举例/Outline and mounting type

