



Waterproof



Dustproof



Corrosionproof

Weatherproof Electrical Appliances
防水防尘防腐电器系列

◆ 产品特点/Product features

- ◇ FZC-S外壳采用玻璃纤维增强不饱和聚酯树脂模压而成形 具有抗老化、不变形、抗冲击、耐腐蚀等优点;
 - ◇ FZC-G外壳采用优质不锈钢板折弯焊接成形 表面拉丝处理 美观大方 防强腐蚀
 - ◇ FZC-L外壳采用铸铝合金压铸成形, 表面高压静电喷塑, 防腐性能好;
 - ◇ 本产品采用曲路密封结构, 直接用紧固件紧固, 具有良好的防水防尘性能;
 - ◇ 所有外露紧固件采用不锈钢材质, 密封件采用线浇发泡先进工艺, 耐油、耐酸、耐碱、耐高温、抗老化;
 - ◇ 本系列产品适, 作为工作现场中电动机的起停、控制转换、信号切换; 仪表计量等显示之用;
 - ◇ 内装元件品牌由我公司定型, 主要有: 按钮, 电表, 指示灯, 万能转换开关等, 可按用户要求装其他仪表 可实现各种元件任意组合, 满足用户设计要求;
 - ◇ 一般情况下, 本系列产品的进出线方向为下进线, 电缆布线。用户要求钢管布线或其他特殊要求请注明;
 - ◇ 产品出厂铭牌上只体现总单元内容, 各分单元代号为订货参数。
-
- ◇ FZC-S enclosure is made of glass fiber reinforced unsaturated polyester resin through pressing, anti-aging and deformation-free, impact resistance and corrosion resistance etc.
 - ◇ FZC-G enclosure is made of high-quality stainless steel plate through bending and welding, wire drawing for surface, elegant appearance.
 - ◇ FZC-L enclosure is made of aluminum alloy through die-casting process, powder coated surface, good corrosion-proof performance.
 - ◇ This product adopts labyrinth seal structure, tightening fasteners, and has a good waterproof and dustproof performance.
 - ◇ All exposed fasteners are made of stainless steel. Sealing parts adopt on-site foaming technology, with anti-oil, anti-acid, anti-alkali, high temperature resistance and ageing resistance.
 - ◇ The products are applicabbe to be used, for displaying of the starting and stopping of motor, control conversion, signal transferring, and instrument metering etc
 - ◇ The brand of inner components shall be recommended by our company. The components mainly include button, meter, indicator, and universal change-over switch etc. Other instruments can be installed in accordance with users' request. A variety of components can be combined to meet the users' requirements.
 - ◇ In general, the inlet and outlet are from the bottom, cable wiring, please specify if the steel pipe wiring or other special requirements are required.
 - ◇ The nameplate of product shall only present the contents of general unit, and each sub-unit code is for ordering parameter.

◆ 订货须知/Ordering information

- ◇ 选型时请根据各单元含义, 注明按钮、电表、指示灯、开关各自的数量, 规格及其产品的安装方式, 详细注明所需的型号。

如订货为: FZC-S-A1B1K1L

A1-1 III a2

B1-A1(100/5)

K1-1A

此产品为: 一钮一表一开关, 工程塑料外壳、立式, 1个按钮规格为一常开一常闭标准型绿色按钮, 电流表量程为100/5, 开关代号为A。

- ◇ Follow the meaning of each unit to select type, specify the number, specification and installation method of button, meter, indicator, and switch. Specify the type in detail. For example, if order FZC-S-A1B1K1L

A1-1 III a2

B1-A1(100/5)

K1-1A

The product shall be with one button, one meter and one switch, engineering plastic enclosure, vertical type. The button shall be 1 NO+ NC type standard green button, the measuring range of ammeter shall be 100/5, switch code: A.

FZC 防水防尘防腐操作柱

Series Weatherproof Control Stations

FZC-S 技术参数/Technical parameters



Waterproof



Dustproof



Corrosionproof

Weatherproof Electrical Appliances
防水 防尘 防腐 电器系列



执行标准 Executive standards	中国标准 Chinese National Standards	国际标准 International standards 欧盟标准/European standards	北美标准 American standards
工作电压 / Working voltage	220V/380V 230V/400V	415V	480V
额定电流 / Rated current	10A		
防护等级 / Degree of protection	IP65	IP65、IP66(可选/Optional)	
防腐等级 / Corrosion-proof	WF2		
使用类别 / Usage type	AC-15、DC-13		
进出线口螺纹 Thread for inlet and outlet	M25 × 1.5 引入规格(如有特殊要求请注明) M25 × 1.5 Cable entry Please specify the special requirements(if any)		
电缆外径 / Cable outer diameter	适合Φ9mm~Φ16mm电缆 Suitable for cable of Φ9mm~Φ16mm		
安装方式 / Mounting type	挂式、立式 Hanging type, vertical type		



Waterproof



Dustproof

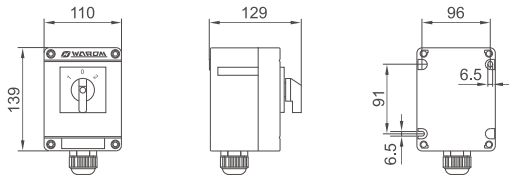


Corrosionproof

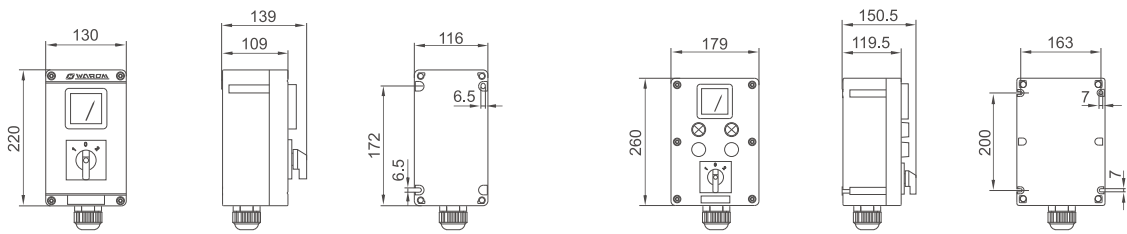
Weatherproof Electrical Appliances
防水 防尘 防腐 电器系列

◆ 外形及安装举例/Outline and mounting type

FZC-S 挂式/Hanging type



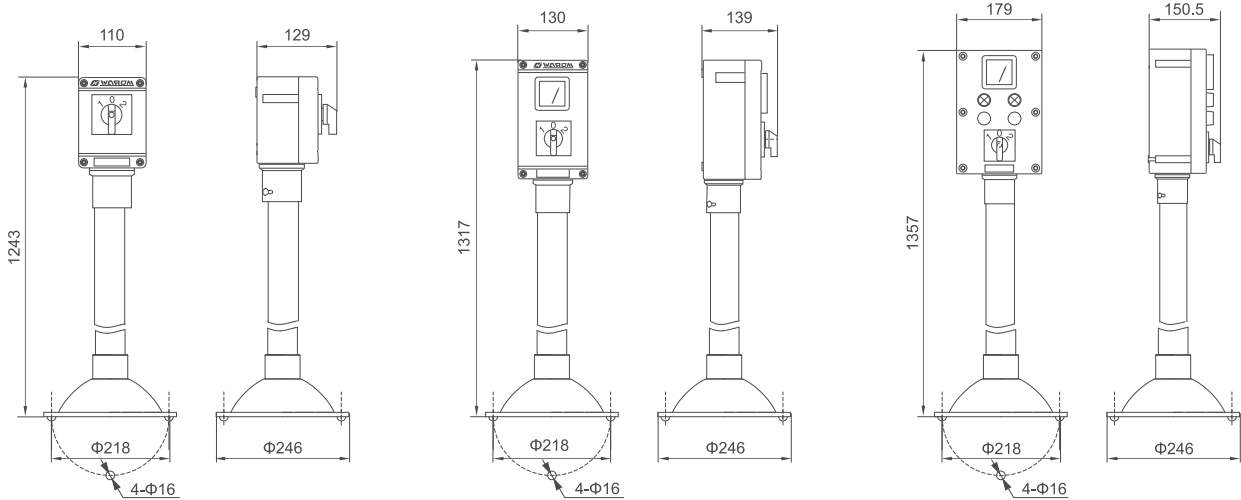
小型 Small type



型 Type

型 Type

FZC-S立式/Vertical type



小型 Small type

型 Type

型 Type

FZC 防水防尘防腐操作柱

Series Weatherproof Control Stations



Waterproof



Dustproof



Corrosionproof

Weatherproof Electrical Appliances
防水 防尘 防腐 电器 系列

FZC-G 技术参数/Technical parameters



执行标准 Executive standards	中国标准 Chinese National Standards	国际标准 International standards 欧盟标准/European standards	北美标准 American standards
工作电压 / Working voltage	220V/380V 230V/400V	415V	480V
额定电流 / Rated current	10A		
防护等级 / Degree of protection	IP65	IP65、IP66(可选/Optional)	
防腐等级 / Corrosion-proof	WF2		
使用类别 / Usage type	AC-15、DC-13		
进出线口螺纹 Thread for inlet and outlet	M25 × 1.5 引入规格(如有特殊要求请注明) M25 × 1.5 Cable entry, Please specify the special requirements(if any)		
电缆外径 / Cable outer diameter	适合Φ9mm~Φ16mm电缆 Suitable for cable of Φ9mm~Φ16mm		
安装方式 / Mounting type	挂式、立式 Hanging type, vertical type		



Waterproof



Dustproof

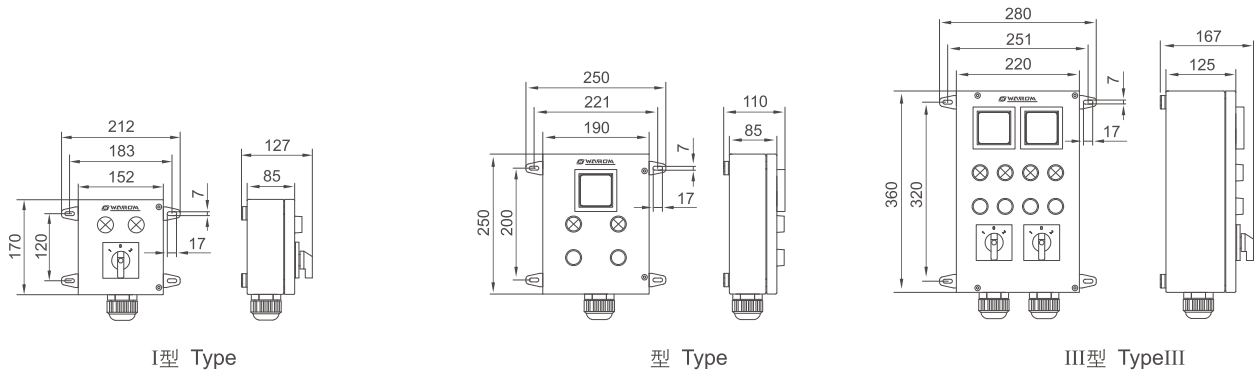


Corrosionproof

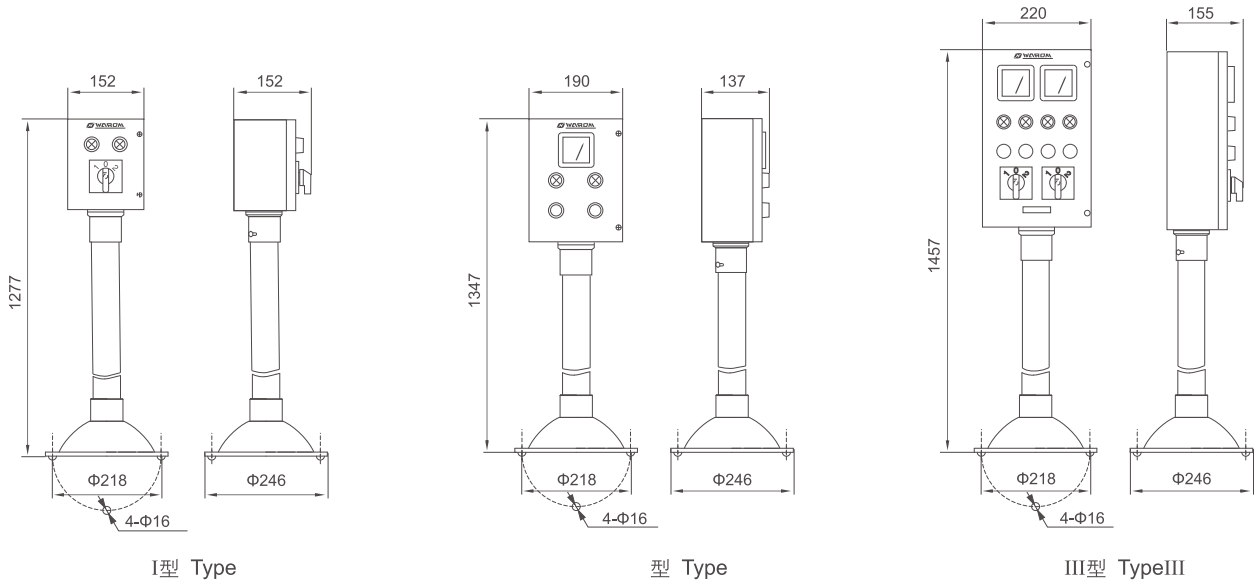
Weatherproof Electrical Appliances
防水 防尘 防腐 电器系列

◆ 外形及安装举例/Outline and mounting type

FZC-G 挂式/Hanging type



FZC-G 立式/Vertical type



FZC 防水防尘防腐操作柱

Series Weatherproof Control Stations



Waterproof



Dustproof



Corrosionproof

Weatherproof Electrical Appliances
防水防尘防腐电器系列

FZC-L 技术参数/Technical parameters



执行标准 Executive standards	中国标准 Chinese National Standards	国际标准 International standards 欧盟标准/European standards	北美标准 American standards
工作电压 / Working voltage	220V/380V 230V/400V	415V	480V
额定电流 / Rated current	10A		
防护等级 / Degree of protection	IP65	IP65、IP66(可选/Optional)	
防腐等级 / Corrosion-proof	WF1、WF2(可选/Optional)		
使用类别 / Usage type	AC-15、DC-13		
进出线口螺纹 Thread for inlet and outlet	M25 × 1.5 引入规格(如有特殊要求请注明) M25 × 1.5 Cable entry, Please specify the special requirements(if any)		
电缆外径 / Cable outer diameter	适合Φ10mm~Φ14mm电缆 Suitable for cable of Φ10mm~Φ14mm		
安装方式 / Mounting type	挂式、立式 Hanging type, vertical type		



Waterproof



Dustproof

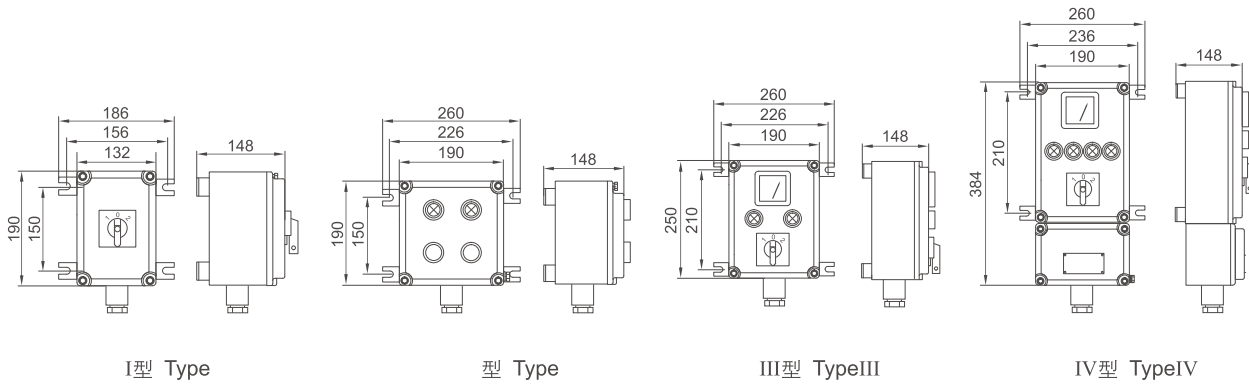


Corrosionproof

Weatherproof Electrical Appliances
防水防尘防腐电器系列

◆ 外形及安装举例/Outline and mounting type

FZC-L 挂式/Hanging type



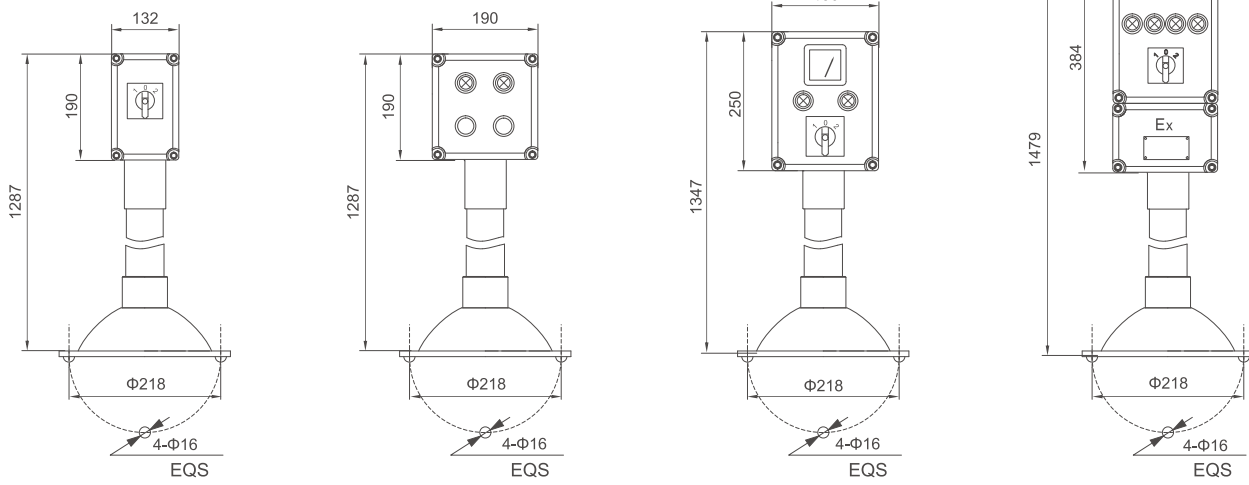
I型 Type

II型 Type

III型 TypeIII

IV型 TypeIV

FZC-L 立式/Vertical type



I型 Type

II型 Type

III型 TypeIII

IV型 TypeIV