

FXMD 系列防水防尘防腐照明动力配电箱

Series Weatherproof Illumination (Power) Distribution Boxes



Waterproof

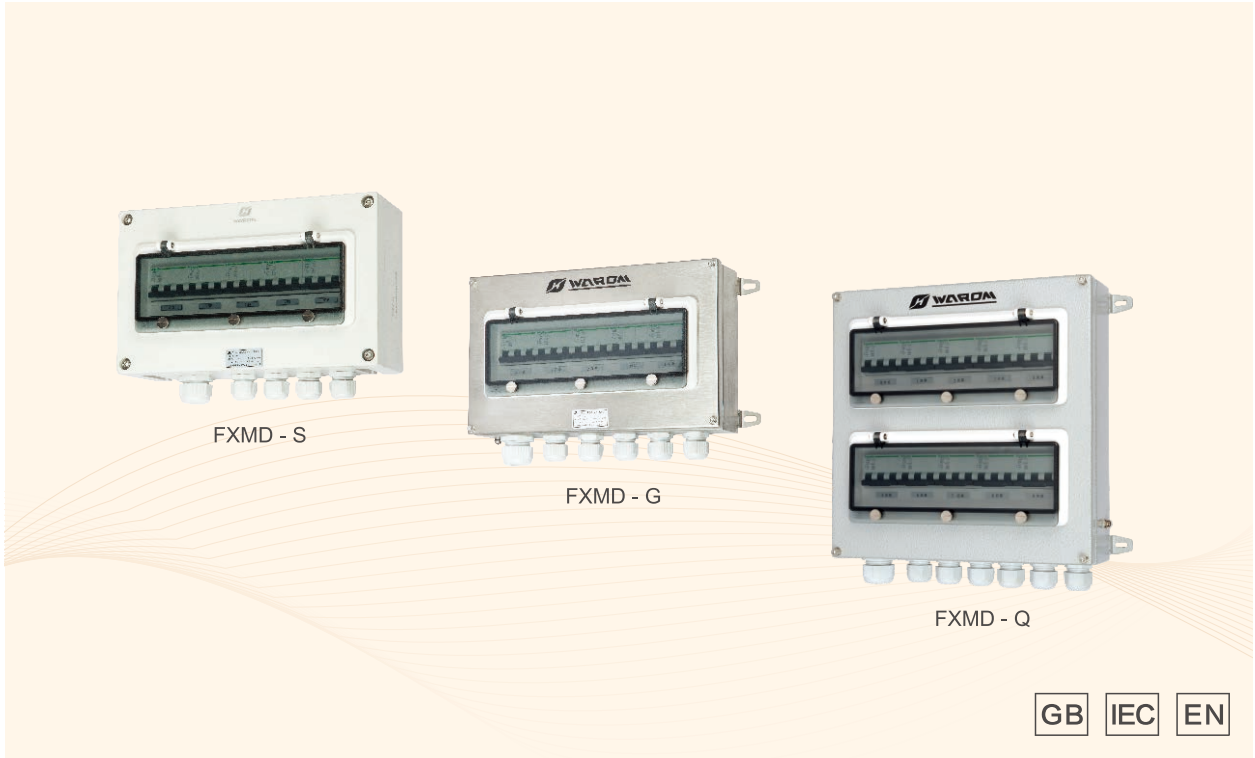


Dustproof



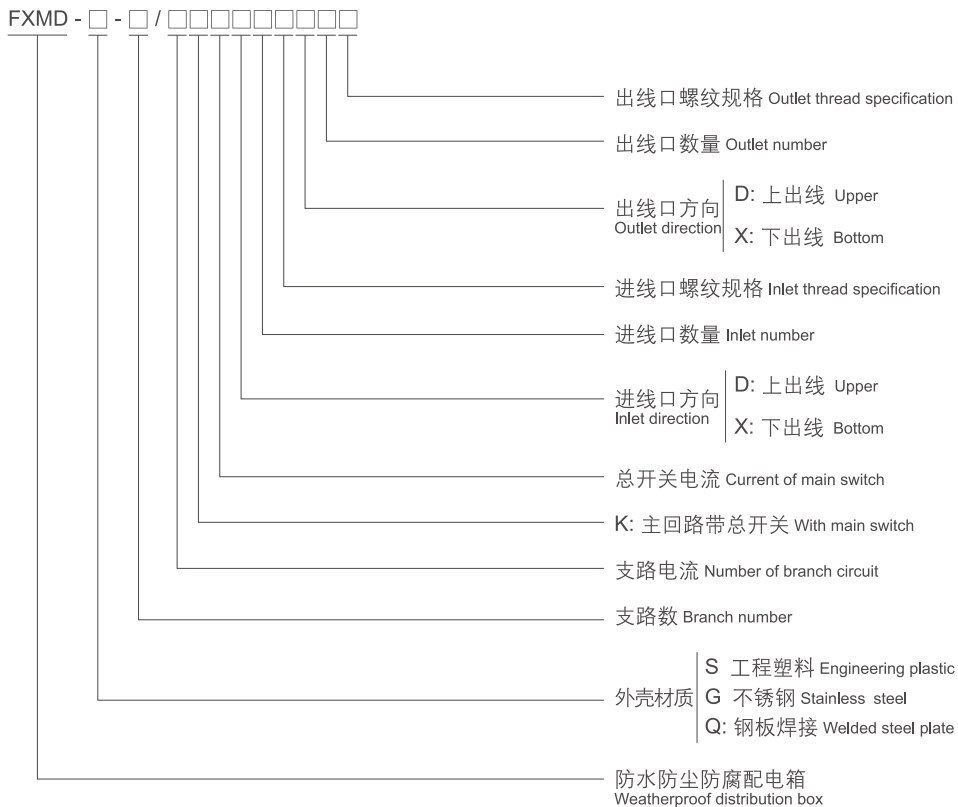
Corrosionproof

Weatherproof Electrical Appliances
防水 防尘 防腐 电器 系列



GB IEC EN

◆ 型号规格含义/Catalogue Number Logic



◆ 产品特点/Product features

- ◇ FXMD-S外壳采用玻璃纤维增强不饱和聚酯树脂材料，通过模具压制而成，外形美观、抗老化、不变形、抗冲击、耐腐蚀等优点；
- ◇ FXMD-G外壳采用优质不锈钢板折弯焊接成形，表面采用拉丝处理，美观大方；具有抗强酸、强碱腐蚀、抗冲击等优点；
- ◇ FXMD-Q外壳采用优质冷轧钢板折弯焊接成形，表面高压静电喷塑处理，美观大方，具有良好的防水防尘防腐性能；
- ◇ 所有外露紧固件均采用不锈钢材质，密封件采用硅橡胶，耐油、耐酸、耐碱、耐高温；
- ◇ 本系列产品作为工作现场中照明控制、电能传送、动力控制等作用；
- ◇ 产品为迷宫式防水结构，具有良好的防水、防尘性能；
- ◇ 可带漏电保护、光电控制等功能，用户要求请注明；
- ◇ 防护等级至少可达IP65，可直接用于户外。

- ◇ FXMD-S enclosure is made of glass fiber reinforced unsaturated polyester resin through die-casting process, with beautiful appearance anti-aging, deformation-free, impact resistance and corrosion resistance etc.
- ◇ FXMD-G enclosure is made of high-quality stainless steel plate through bending and welding, wire drawing for surface, elegant appearance, resistance to strong acid, alkali corrosion, and impact resistance, etc.
- ◇ FXMD-Q enclosure is made of high-quality cold rolling steel plate through bending and welding, powder coated surface, elegant appearance, with good waterproof, dustproof and corrosion-proof performance.
- ◇ All exposed fasteners are made of stainless steel Sealing parts are made of silicone rubber with anti-oil, anti-acid, anti-alkali, and high temperature resistance.
- ◇ The products are used for on-site lighting control and electric energy transmission, power control, etc..
- ◇ Labyrinth waterproof structure, good waterproof and dustproof performance
- ◇ Earth leakage protection and photoelectric control functions could be supplied upon request. Please specify if there's a need.
- ◇ Strong acid and strong alkali resistance, anti-salt, anti-seawater and ammonia corrosion resistance
- ◇ Degree of protection up to IP65, it could be used outdoors.

◆ 订货须知/Ordering information

- ◇ 用户订货时，须注明配电箱的回路数，各回路相应的电流数，以及断路器的极数和进出线的数量、方向、大小；
- ◇ 照明回路支路开关常规配置为2P，若支路开关需要1P请注明；动力回路常规配置为3P，总开关为3P；
- ◇ 必要时提供电气系统图；
- ◇ 电缆布线(钢管布线请注明)。
- ◇ When ordering, please specify the number of circuits, corresponding current of each circuits, and the pole number of the circuit breaker and the number, direction and size of inlet and outlet.
- ◇ Branch switch of lighting circuit is of 2P, 3P for main switch. Please specify if 1P is needed for the branch switch. 3P is available for power circuit in general, main switch is of 3P
- ◇ If necessary, electrical system diagram shall be provided.
- ◇ Cable wiring (please specify if steel pipe wiring is required).



Waterproof



Dustproof



Corrosionproof

Weatherproof Electrical Appliances
防水 防尘 防腐 电器系列

FXMD 系列防水防尘防腐照明动力配电箱

Series Weatherproof Illumination (Power) Distribution Boxes



Waterproof



Dustproof



Corrosionproof

Weatherproof Electrical Appliances
防水 防尘 防腐 电器系列

FXMD-S 技术参数/Technical parameters



执行标准 Executive standards	中国标准 Chinese National Standards	国际标准 International standards 欧盟标准/European standards	北美标准 American standards
工作电压 / Working voltage	380V	690V	480V
主回路额定电流 Rated current of main circuit	63A ~ 400A		
支路额定电流 Branch current	1A、2A、4A、6A、10A、16A、20A、25A、32A、40A、50A、63A、80A、100A		
防护等级 / Degree of protection	IP65	IP65、IP66(可选/Optional)	
防腐等级 / Corrosion-proof	WF2		
内装元件 / Built-in components	施耐德、ABB等品牌 Schneider, ABB brand.etc.		
引入口规格 / Cable entry	参见/Refer to P197页~P199页		



Waterproof



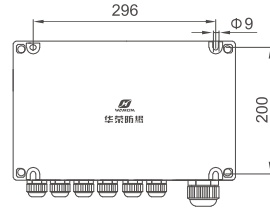
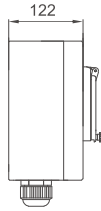
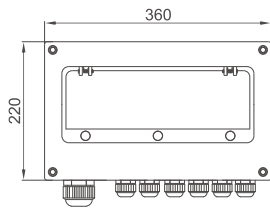
Dustproof



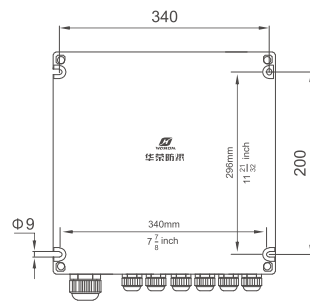
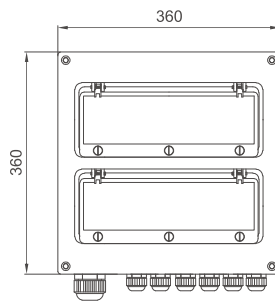
Corrosionproof

Weatherproof Electrical Appliances
防水防尘防腐电器系列

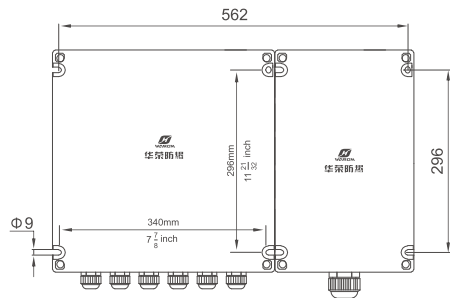
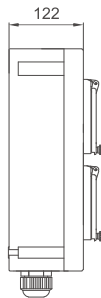
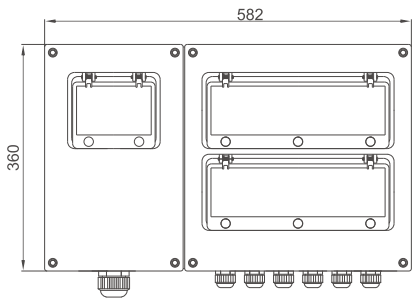
◆ 外形及安装举例/Outline and mounting type



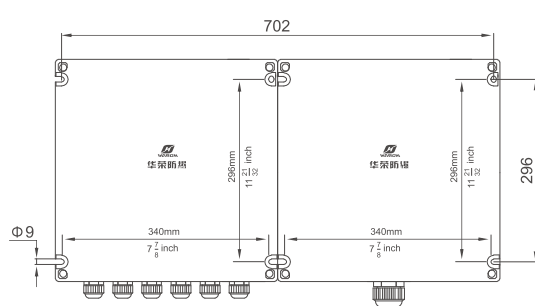
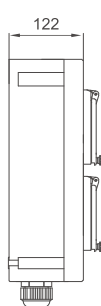
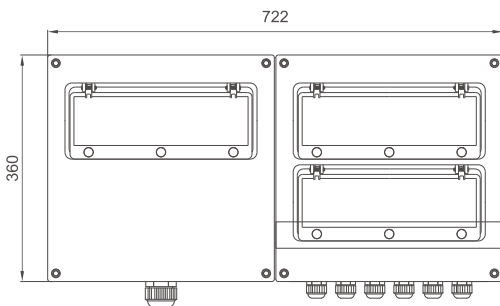
FXMD-S-4/6/4K/6K



FXMD-S-8/8K/10/10K/12/12K



FXMD-S-10K/12



FXMD-S-12K

FXMD 系列防水防尘防腐照明动力配电箱

Series Weatherproof Illumination (Power) Distribution Boxes

FXMD-G 技术参数/Technical parameters



Waterproof



Dustproof



Corrosionproof

Weatherproof Electrical Appliances
防水 防尘 防腐 电器系列



执行标准 Executive standards	中国标准 Chinese National Standards	国际标准 International standards 欧盟标准/European standards	北美标准 American standards
工作电压 / Working voltage	380V	690V	480V
主回路额定电流 Rated current of main circuit	63A ~ 400A		
支路额定电流 Branch current	1A、2A、4A、6A、10A、16A、20A、25A、32A、40A、50A、63A、80A、100A		
防护等级 / Degree of protection	IP65	IP65、IP66(可选/Optional)	
防腐等级 / Corrosion-proof	WF2		
内装元件 / Built-in components	施耐德、ABB等品牌 Schneider, ABB brand.etc.		
引入口规格 / Cable entry	参见/Refer to P197页~P199页		



Waterproof



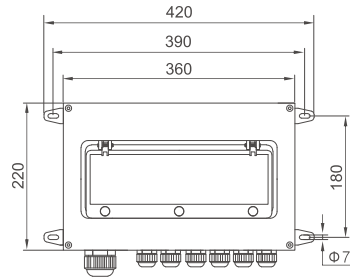
Dustproof



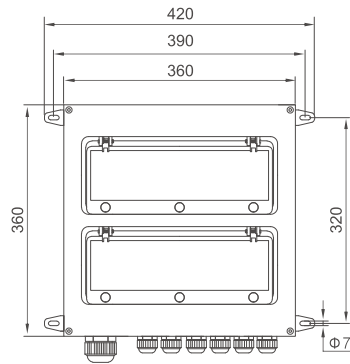
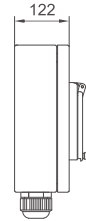
Corrosionproof

Weatherproof Electrical Appliances
防水 防尘 防腐 电器系列

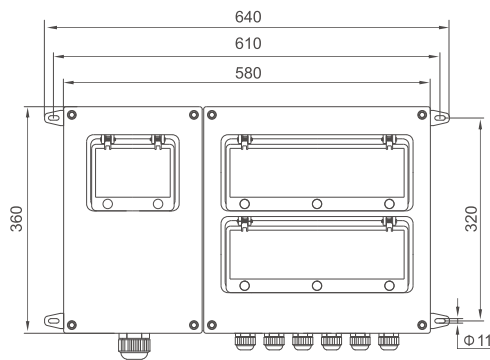
◆ 外形及安装举例/Outline and mounting type



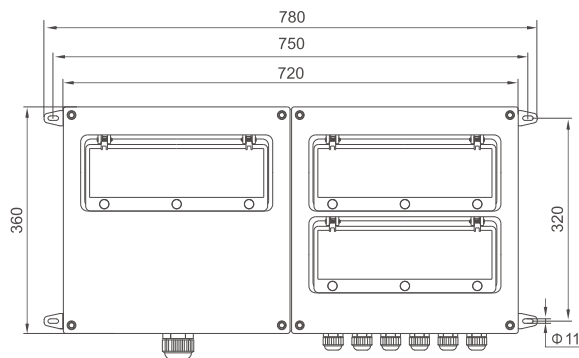
FXMD-G-4/6/4K/6K



FXMD-G-8/8K/10/10K/12/12K



FXMD-G-10K/12



FXMD-G-12K



FXMD 系列防水防尘防腐照明动力配电箱

Series Weatherproof Illumination (Power) Distribution Boxes

FXMD-Q 技术参数/Technical parameters



Waterproof



Dustproof



Corrosionproof

Weatherproof Electrical Appliances
防水 防尘 防腐 电器系列



执行标准 Executive standards	中国标准 Chinese National Standards	国际标准 International standards 欧盟标准/European standards	北美标准 American standards
工作电压 / Working voltage	380V	690V	480V
主回路额定电流 Rated current of main circuit	63A ~ 400A		
支路额定电流 Branch current	1A、2A、4A、6A、10A、16A、20A、25A、32A、40A、50A、63A、80A、100A		
防护等级 / Degree of protection	IP65	IP65、IP66(可选/Optional)	
防腐等级 / Corrosion-proof	WF1、WF2(可选/Optional)		
内装元件 / Built-in components	施耐德、ABB等品牌 Schneider, ABB brand.etc.		
引入口规格 / Cable entry	参见/Refer to P197页~P199页		



Waterproof



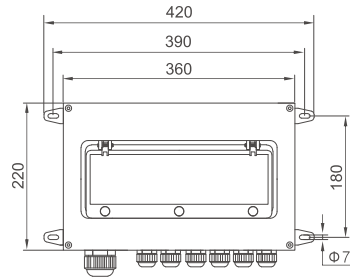
Dustproof



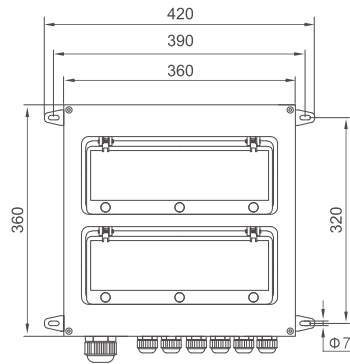
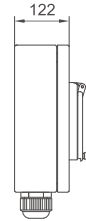
Corrosionproof

Weatherproof Electrical Appliances
防水 防尘 防腐 电器系列

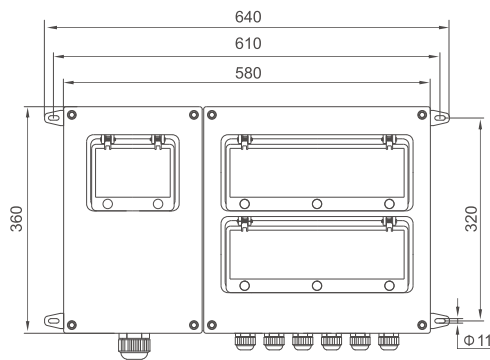
◆ 外形及安装举例/Outline and mounting type



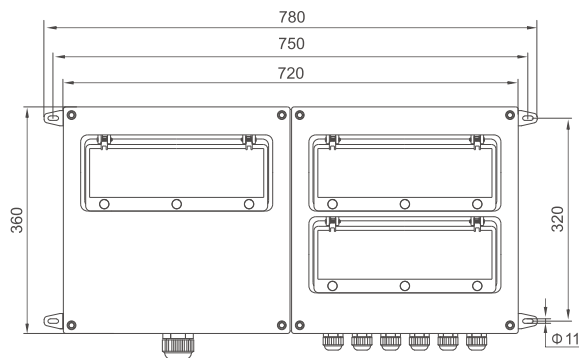
FXMD-Q-4/6/4K/6K



FXMD-Q-8/8K/10/10K/12/12K



FXMD-Q-10K/12



FXMD-Q-12K

