

# FAY-E 系列防水防尘防腐全塑LED灯

Series Weatherproof Light Fittings for LED Lamp



Waterproof

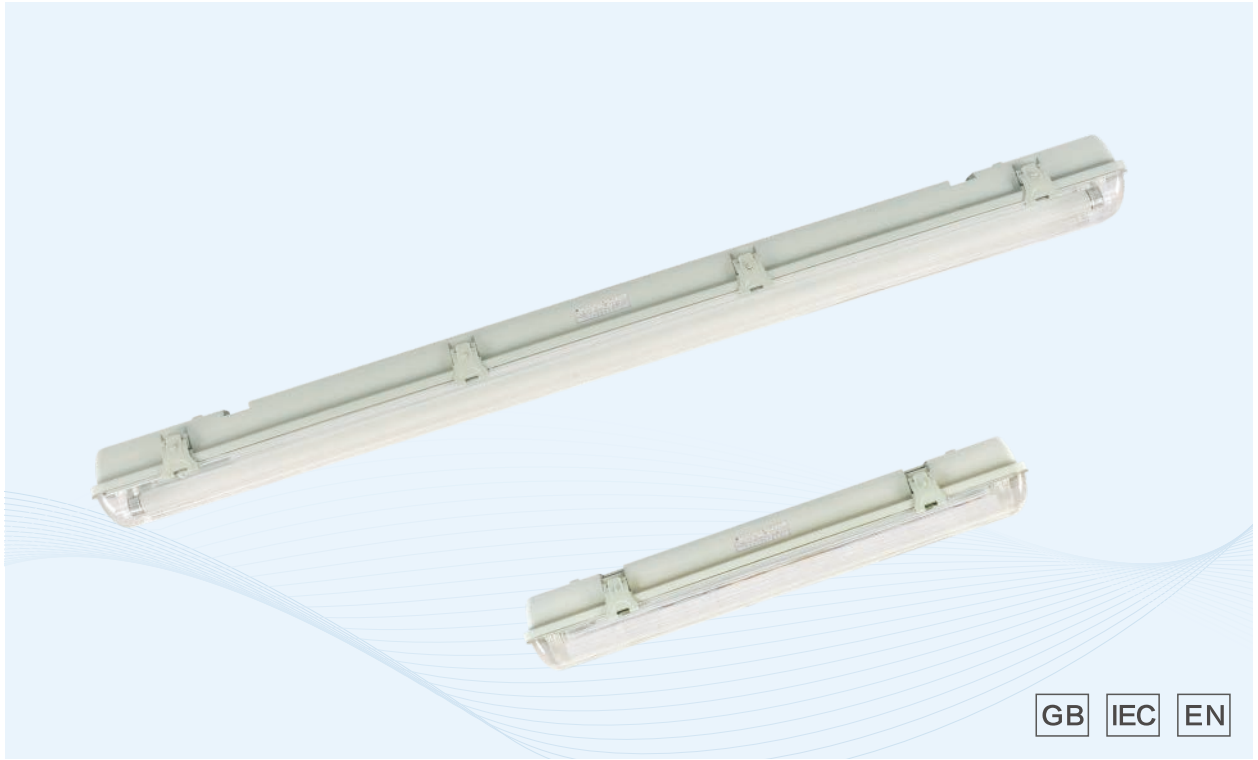


Dustproof



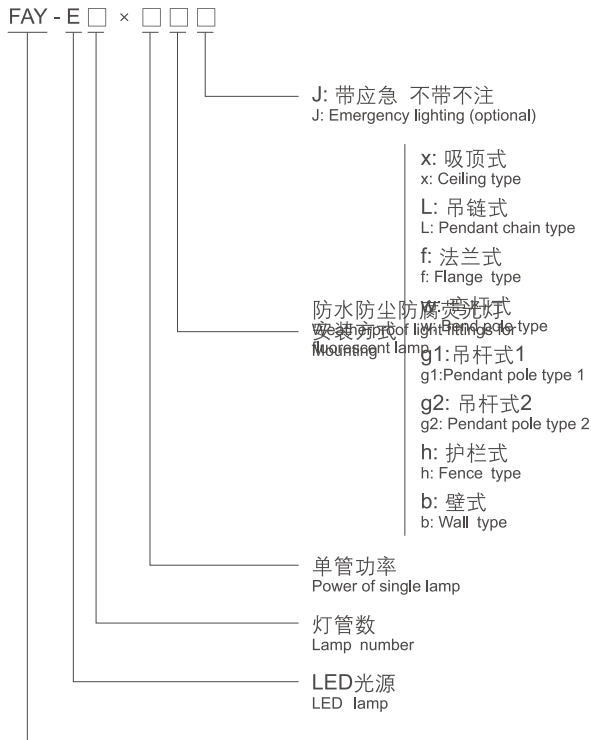
Corrosionproof

Industrial and Mining Weatherproof Light Fittings  
工矿用水防尘防腐灯具类



GB IEC EN

## ◆ 型号规格含义/Catalogue Number Logic



## ◆ 订货须知/Ordering Information

- ◇ 注明执行标准形式, 如中国标准、国际标准、欧盟标准、北美标准
- ◇ 按照产品型号规格说明逐条选择, 例如: 需要18W双管LED荧光灯, 法兰式安装, 则产品选型为FAY-E2 × 18 f;
- ◇ 本灯具出厂时已配光源;
- ◇ 9W单管无应急型;
- ◇ 吊杆式安装有侧进线和上进线两种形式, 常规为侧进线形式, 如需上进线时请注明;
- ◇ 常规配置为电缆布线, 如需钢管布线请注明。
- ◇ Specify the executive standard form, such as Chinese National standard, International standard, European standards and American standards.
- ◇ Follow the product catalogue number logic for selection. For example: 18W LED fluorescent lamp with two tubes, flange type, the product type shall be FAY-E2×18W.
- ◇ Light fittings are supplied with light source
- ◇ No emergency type for 9W single lamp
- ◇ For pendant pole type, cable entries includes side entry and top entry. Generally, side entry is provided. Please specify if top entry is needed.
- ◇ Generally, cable wiring is provided, please specify if steel pipe wiring is needed.



Waterproof



Dustproof



Corrosionproof

Industrial and Mining Weatherproof Light Fittings  
工矿用水防尘防腐灯具类

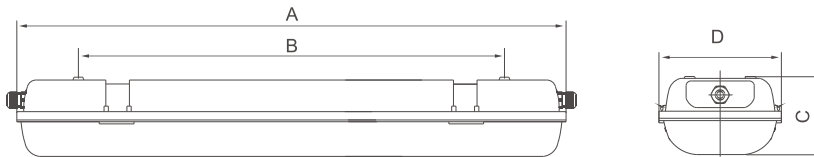
### ◆ 产品规格/Product specifications

型号规格 Type	光源类型 Lamp type	防护等级 Degree of protection	光源功率 Lamp power	壳体类型 Enclosure type	重量 Weight
FAY - E □ × □	LED	IP66	1 × 9W	I	1.5kg
			2 × 9W	II	2.5kg
			1 × 18W	III	2.5kg
			2 × 18W	IV	3.9kg

### ◆ 产品特点/Product features

- ◇ 工程塑料注射成型壳体，具有较强的抗冲击能力、防强腐蚀性能；
- ◇ 优质PC材料注塑透明罩，防眩光设计，配光合理，光线柔和；
- ◇ 曲路密封结构，密封性能好，多点卡扣扣合，开合方便，便于维修；
- ◇ 配置LED条形光源，合理排布，单向发光，光线均匀柔和，光效高，显色性高，寿命长，绿色环保；
- ◇ 配置高性能元件与光源最佳配合，优化灯具性能，提高发光效率；
- ◇ 可根据要求配装应急装置，当供电电源断电时，灯具自动切换到应急照明状态，应急时间不小于90分钟 9W单管无应急型 。
- ◇ Enclosure is formed of engineering plastic through injection, with strong impact resistance and corrosion-proof performance.
- ◇ Transparent cover is made of high quality PC material through injection, anti-glare, reasonable light distribution, soft light.
- ◇ Labyrinth seal structure, good sealing performance, multi-point locking, convenience for opening and closing, easy for maintenance.
- ◇ Equipped with LED strip light, reasonable arrangement, unidirectional lighting, even and soft light, high luminous efficiency > 100lm / W, high color rendering, long service life, environmental protection.
- ◇ High performance components working well with the light source to optimize lights performance and improve the luminous efficiency.
- ◇ Emergency devices are available upon request. When the power supply is cut off, the light shall automatically switch to emergency lighting state. Emergency time not less than 90 minutes (no emergency type for 9W single lamp)

### ◆ 外形尺寸/Outline dimension (mm)



壳体类型/Enclosure type	A	B	C	D	E
FAY-E 1 × 9	658	500	100	95	535
FAY-E 2 × 9	658	500	100	145	535
FAY-E 1 × 18	1268	1000	100	95	1085
FAY-E 2 × 18	1268	1000	100	145	1085

# FAY-E 系列防水防尘防腐全塑LED灯

## Series Weatherproof Light Fittings for LED Lamp



Waterproof



Dustproof



Corrosionproof

Industrial and Mining Weatherproof Light Fittings  
工矿用水防尘防腐灯具类

### 技术参数/Technical Parameters



执行标准 / Executive standards	中国标准(GB)/Chinese National standards	国际标准(IEC)/International standards 欧盟标准(EN)/European standards 北美标准/American standards
工作电压 / Working voltage	220V~240V AC 50Hz / 60Hz	100V~300V AC 50Hz / 60Hz
环境温度 / Ambient temperature	-25℃~+45℃	-25℃~+55℃
防护等级 / Degree of protection	IP66	IP66、IP67(可选/Optional)
防腐等级 / Corrosion-proof	WF2	
引入装置 / Cable gland	M25 × 1.5引入口规格, 适合Φ9mm~Φ16mm电缆(格兰可选) M25 × 1.5 Suitable for cableΦ9mm~Φ16mm Cable gland is optional	
接线端子 / Terminal	≤ 2.5mm <sup>2</sup> 导线可靠连接 ≤ 2.5mm <sup>2</sup> reliable connection wire	≤ 2.5mm <sup>2</sup> 导线可靠连接(≤ 4mm <sup>2</sup> 可选) ≤ 2.5mm <sup>2</sup> Reliable connection wire (≤ 4mm <sup>2</sup> is optional)
安装方式 / Mounting	吸顶式(x)、吊杆式1(g1)、吊杆式2(g2)、吊链式(L)、法兰式(f)、护栏式(h)、弯杆式(w)、壁式(b) Ceiling type (x), pendant pole type 1(g1), pendant pole type 2(g2), pendant chain type (L), flange type (f), fence type (h), bend pole type (w), wall type (b)	
光源功率 / Lamp power	LED: 1 × 9W、2 × 9W、1 × 18W、2 × 18W	
配光曲线 / Luminous intensity distribution cd/1000lm	<p>— c 0 / 180 — c 90 / 270</p>	



Waterproof



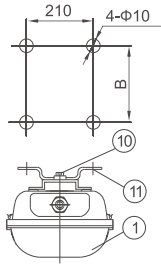
Dustproof



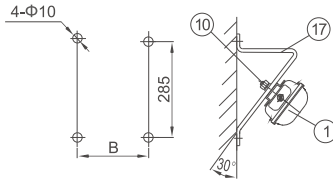
Corrosionproof

Industrial and Mining Weatherproof Light Fittings  
工矿用防水防尘防腐灯具类

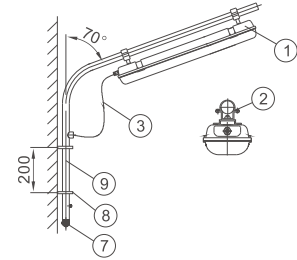
◆ 外形及安装举例/Outline and mounting type



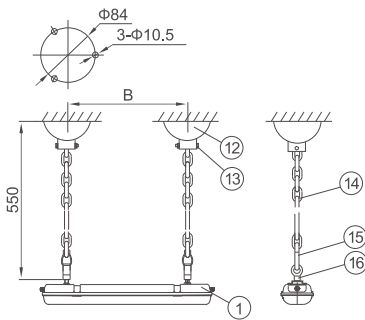
吸顶式/Ceiling type(x)



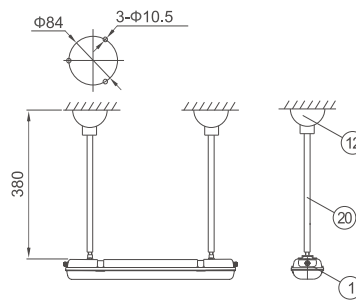
壁式/Wall type(b)



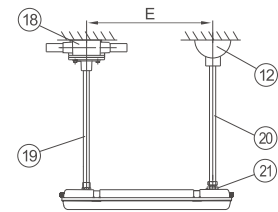
弯杆式/Bend pole type(w)



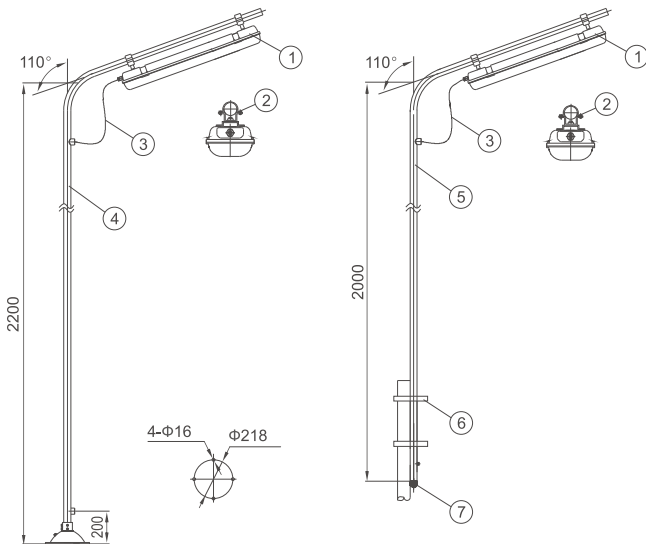
吊链式/Pendant chain type(L)



吊杆式1(侧进线)(g1)  
Pendant pole type1(side entry)



吊杆式2(上进线)(g2)  
Pendant pole type2(top entry)



法兰式Flange type(f)

护栏式Fence type(h)

序号 No.	名称 Name	备注 Remark
1	FAY-E防水防尘防腐全塑LED灯 FAY-E Weatherproof Light Fittings for LED Lamp	
2	安装架、管夹 Mounting frame, pipe clamps	
3	防水防尘防腐挠性连接管 FNG-500xM25 (外)G1"(外) Weatherproof flexible conduit FNG-500xG3/4" (male) G1" (male)	用户自备 supplied by user
4	法兰杆 G1 1/4" Flange rod G1 1/4"	
5	护栏杆 G1 1/4" Fence pole G1 1/4"	
6	U型管夹 U type pipe clamps	用户自备 supplied by user
7	三防密封接头 FQM-1-G3/4" Weatherproof cable gland FQM-1-G3/4"	
8	固定架 Fixed bracket	
9	弯杆 G1 1/4" Bend pole G1 1/4"	
10	螺栓 M8 Bolt M8	
11	安装架 Mounting frame	
12	吸盘 Sucker	
13	螺母 M6、螺栓 M6 × 50、弹垫 M6 Nuts M6, bolts M6X50, spring washer M6	
14	链条 Chain	450mm
15	挂钩 Hook	
16	吊环螺钉 M8 × 12 M8X12 Eyebolt	
17	三角安装架 Triangle mounting frame	
18	防水防尘防腐接线盒 FHD-G3/4" G Weatherproof junction box	二通吊 Two entries hang type
19	直杆 G3/4" Straight pole G3/4"	280mm
20	直杆 G3/4" Straight pole G3/4"	300mm
21	联轴器 Couplings	