

FAT-E 系列防水防尘防腐泛光LED灯 B型

Series Weatherproof LED Floodlights (B type)



Waterproof

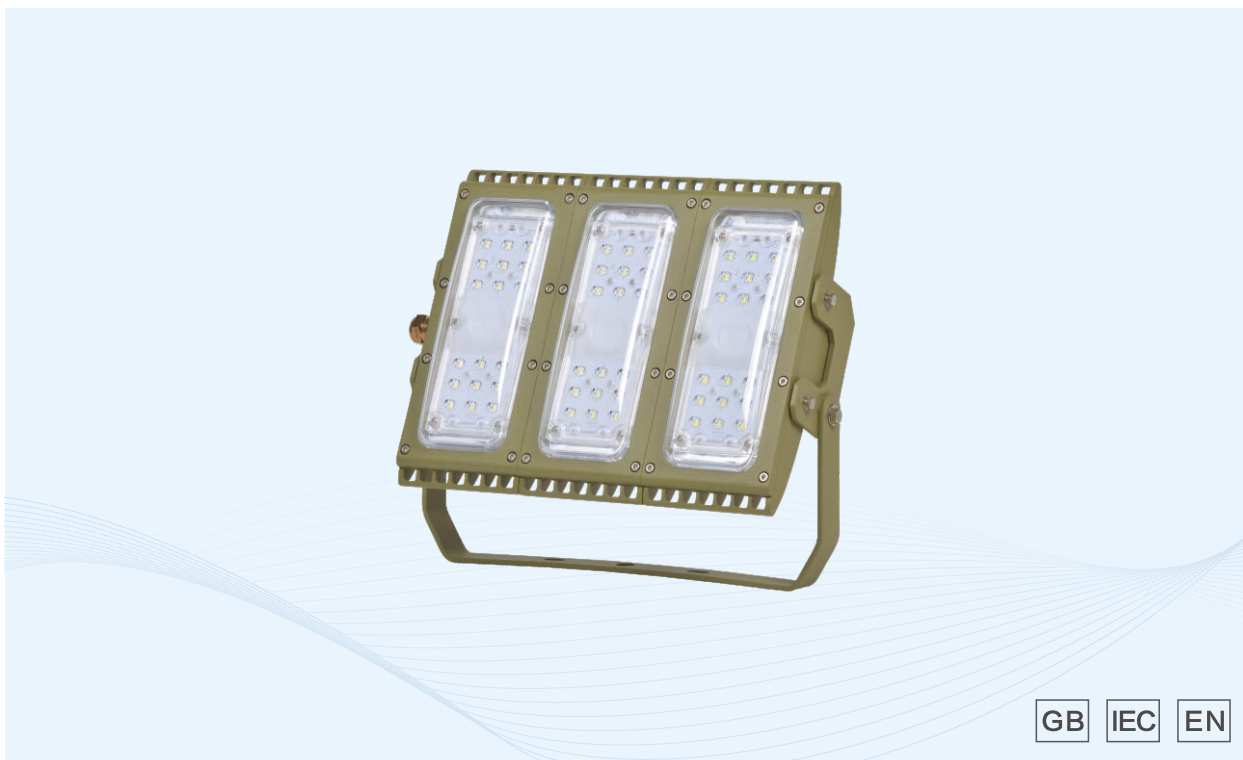


Dustproof



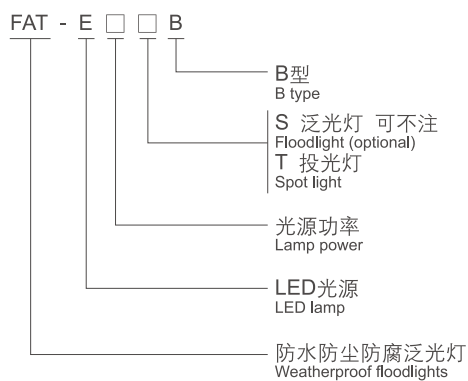
Corrosionproof

Industrial and Mining Weatherproof Light Fittings
工矿用水防尘防腐灯具类



GB IEC EN

◆ 型号规格含义/Catalogue Number Logic

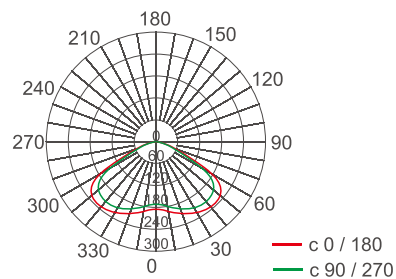


◆ 订货须知/Ordering Information

- ◇ 注明执行标准形式，如中国标准、国际标准、欧盟标准
- ◇ 按照产品型号规格说明逐条选择，例如：需要LED泛光灯150W规格则产品型号为 FAT-E150 B
- ◇ 本灯具出厂时已配光源。
- ◇ Specify the executive standard form, such as Chinese National standard, International standard, European standards.
- ◇ Follow the product catalogue number logic for selection.
For example: 150W LED floodlight, the product type shall be FAT-E150 B.
- ◇ The light fittings are supplied with light source.

◆ 配光曲线/Luminous intensity distribution

cd/1000lm



◆ 技术参数/Technical parameters

执行标准 Executive standards	中国标准(GB)/Chinese National standards	国际标准(IEC)/International standards 欧盟标准(EN)/European standards
工作电压 Working voltage	220V AC 50Hz/60Hz	220V~240V AC 50Hz/60Hz
环境温度 Ambient temperature	-40℃~+45℃	-40℃~+55℃(-50℃可选/is optional)
防护等级 Degree of protection	IP66	
防腐等级 Corrosion-proof	WF1、WF2(可选/Optional)	
引入装置 Cable gland	M20×1.5引入规格, 适合Φ6.5mm~Φ10mm电缆 M20×1.5 Suitable for cable of Φ6.5mm~Φ10mm	
光源功率 Lamp power	30W 60W 90W 120W 150W 180W 200W	
灯具重量 Weight of Light fitting	6.5kg(FAT-E150B)	



Waterproof



Dustproof



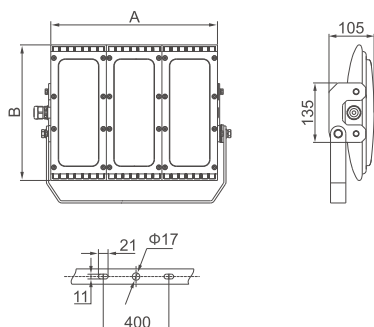
Corrosionproof

Industrial and Mining Weatherproof Light Fittings
工矿用水防尘防腐灯具类

◆ 产品特点/Product features

- ◇ 铝合金压铸壳体, 表面高压静电喷塑;
 - ◇ 高防腐性能的不锈钢外露紧固件;
 - ◇ 专业光学软件设计的二次配光系统, 光束分配合理, 照度均匀, 反射效率、利用效率高;
 - ◇ PC材料成型透明罩, 透光率高, 抗冲击能力强;
 - ◇ 专利的外形设计, 实现产品自清洁功能, 正常工作不积水、不积尘;
 - ◇ 独特设计了调节角度机构, 可根据用户需求调节照射角度;
 - ◇ 配置直供式LED模块光源, 实现光源长寿命工作, 光效高 显色性高, 绿色环保;
 - ◇ 模块化设计, 便于检修和升级;
 - ◇ 开放式的散热结构, 散热充分, 有效散发光源热量, 确保灯具长寿命的工作;
 - ◇ 电缆布线。
- ◇ Die-casting aluminum alloy enclosure, powder coated surface.
 - ◇ Stainless steel exposed fasteners, with high corrosion-proof performance.
 - ◇ Secondary light distribution system designed by professional optical design software, with reasonable light distribution, uniform illumination, high reflectivity and high utilization.
 - ◇ PC transparent cover, high light transmittance, anti-impact.
 - ◇ Patent appearance design, which can realize the function of self-cleaning, no water logged and dust deposition in normal working condition.
 - ◇ Unique angle adjusting mechanism, which can adjust illumination angle in accordance with user's request.
 - ◇ Equipped with directly-supplying type LED modules, which can realize long service life of light source, with high luminous efficiency, high color rendering and green environment protection.
 - ◇ Module design, convenient for overhauling and upgrading.
 - ◇ Open heat dissipation structure, dissipate heat sufficiently, which can dissipate the heat of light source to ensure the long service life of light fitting.
 - ◇ Cable wiring.

◆ 外形及安装举例/Outline and mounting type (mm)



功率/Power	30W	60W	90W	120W	150W	180W	200W
尺寸/Size							
A	130	255	380	510	380	510	510
B	310	310	310	310	310	310	310