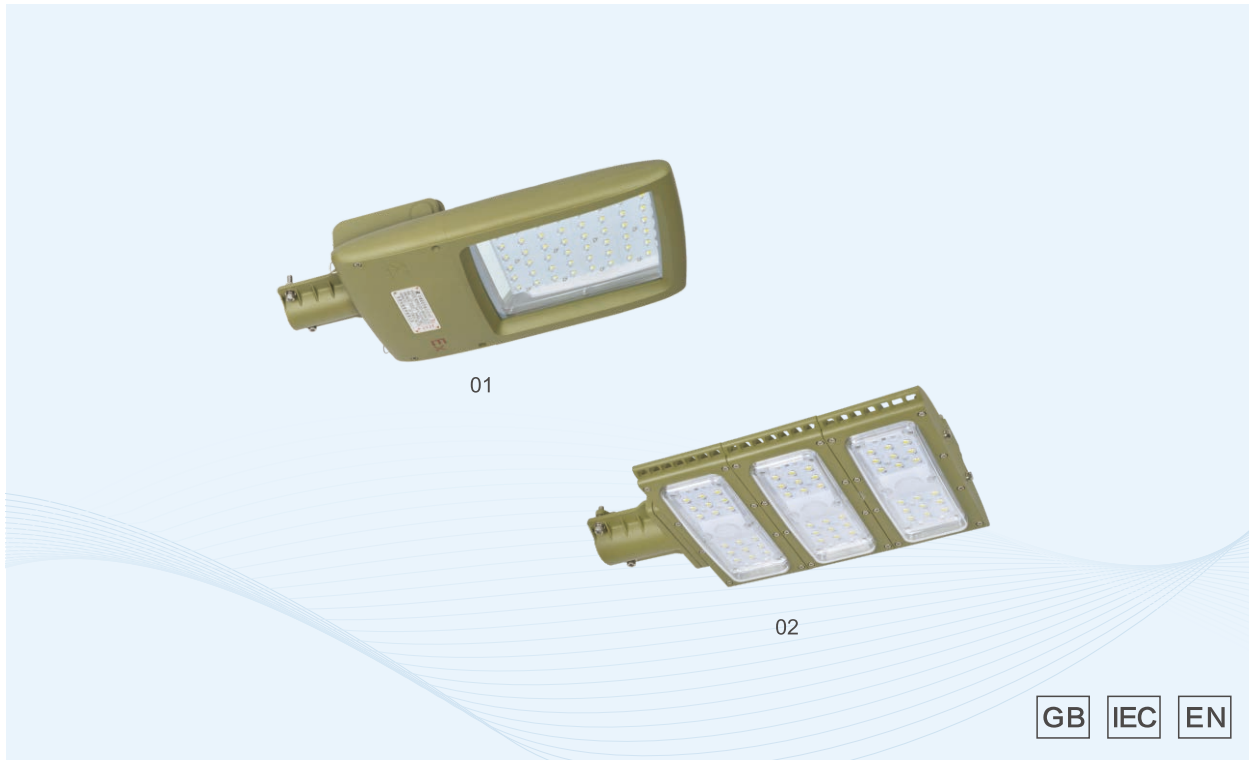


FAM-E 系列高效节能LED马路灯

Series High Efficiency Energy-saving LED Street Lamps



Waterproof



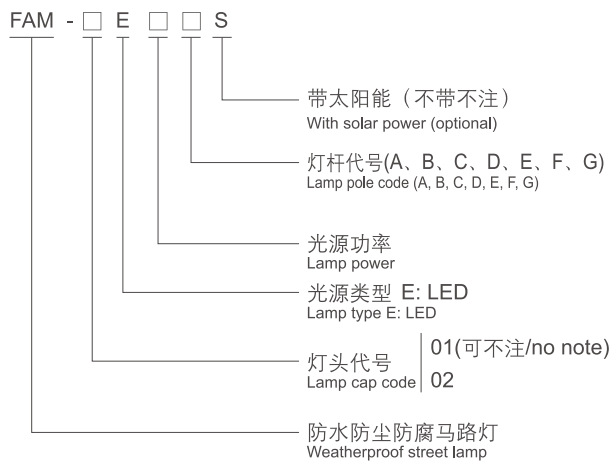
Dustproof



Corrosionproof

隧道、马路、广场照明类
Tunnel Lamps, Street Lamps and Plaza Light Fittings

◆ 型号规格含义/Catalogue Number Logic



◆ 订货须知/Ordering Information

- ◇ 注明执行标准形式，如中国标准、国际标准、欧盟标准、北美标准；
- ◇ 按照产品型号规格说明逐条选择，例如：FAM-E100A表示为01灯具100W单臂A灯杆，高效节能LED马路灯；
- ◇ 本灯具出厂时已配光源；
- ◇ 灯杆形式分为单臂(A型)、等长双臂(B型)、双臂不等长(C型)等形式供现场需要选用，也可根据要求定制；
- ◇ 灯杆高度有多种规格，亦可订制，无特殊注明时按照6米灯杆供货。
- ◇ Specify the executive standard form, such as Chinese National standard, International standard, European standards and American standards.
- ◇ Follow the product catalogue number logic for selection. For example: FAM-E100A S means 01 light fitting, 100W single-arm (type A) lamp pole, high efficiency energy-saving LED street lamp.
- ◇ The light fittings are supplied with light source.
- ◇ Lamp pole includes single-arm (type A), and equal-length arm (type B), unequal-length arm (type C), for options on site, and supplied upon request.
- ◇ Various pole height specifications, which also can be customized, if no special requirements, 6-meter light poles shall be supplied.

FAM-E 系列高效节能LED马路灯

Series High Efficiency Energy-saving LED Street Lamps



Waterproof



Dustproof



Corrosionproof

◆ 产品规格/Product Specifications

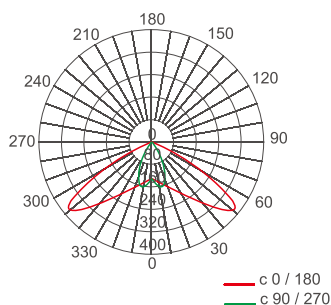
工作电压 Working voltage	灯头代号 Lamp cap code		防护等级 Degree of protection	防腐等级 Corrosion-proof	电缆外径 Cable outer diameter
中国标准(GB)/Chinese National standards:220V AC 50Hz 欧盟标准(EN)/European standards 220V~240V AC 50Hz/60Hz 北美标准/American standards 100V~300V AC 50Hz/60Hz	01	02	IP65	WF1 WF2(可选/Optional)	φ 10mm~ φ 14mm
	100W、120W 150W、180W、200W	60W、90W、120W 150W、180W、200W			

◆ 产品特点/Product features

- ◇ 铝合金压铸壳体，表面高压静电喷塑；
- ◇ 配置多颗国际品牌LED光源，单向发光，光线均匀柔和，光效高，显色性高，寿命长；
- ◇ 特制恒流源，输出功率恒定，具有开路、短路等保护功能，保证光源长寿命可靠工作；
- ◇ 灯具特殊的散热结构，散热性好，导热可靠；
- ◇ 灯杆为优质钢板制作成型，内外热浸锌处理后表面静电喷塑，可广泛用于各种化工厂道路照明；
- ◇ 路灯系列灯具，灯杆抗风能力达40m/s，可广泛用于沿海、沿江等风力较大地区；
- ◇ 可配装太阳能电池板，采用太阳能供电，一次充电使用15小时以上，利用光控、时控等智能方式控制灯具工作状态，几乎免维护使用。
- ◇ Die-casting aluminum alloy enclosure, powder coated surface.
- ◇ Equipped with many international brand LED lamps, unidirectional lighting, even and soft light, high luminous efficiency, high color rendering and long service life.
- ◇ Special constant flow source, constant power output, with functions of open circuit protection, short circuit protection, etc. to ensure the lamps have long service life and can reliably work.
- ◇ Special cooling structure, good heat dissipation capacity, reliable heat conduction.
- ◇ The pole is made of high quality steel plate, electrostatic spray on the surface after hot-dip zinc processing inside and outside, can be widely used in various chemical plant for road lighting.
- ◇ Street lamps, light poles wind resistance capacity up to 40m / s, and can be widely used in areas along the coast where wind speed is higher.
- ◇ Can be equipped with solar cell panel, powered by solar electricity. It can be used more than 15 hours before requiring another charge. The operation state of lamp can be controlled by light-controlling, time controlling and other intelligent methods, almost maintenance-free operation.

◆ 配光曲线/Luminous intensity distribution

Cd/1000lm



隧道、马路、广场照明类
Tunnel Lamps, Street Lamps and Plaza Light Fittings



Waterproof



Dustproof

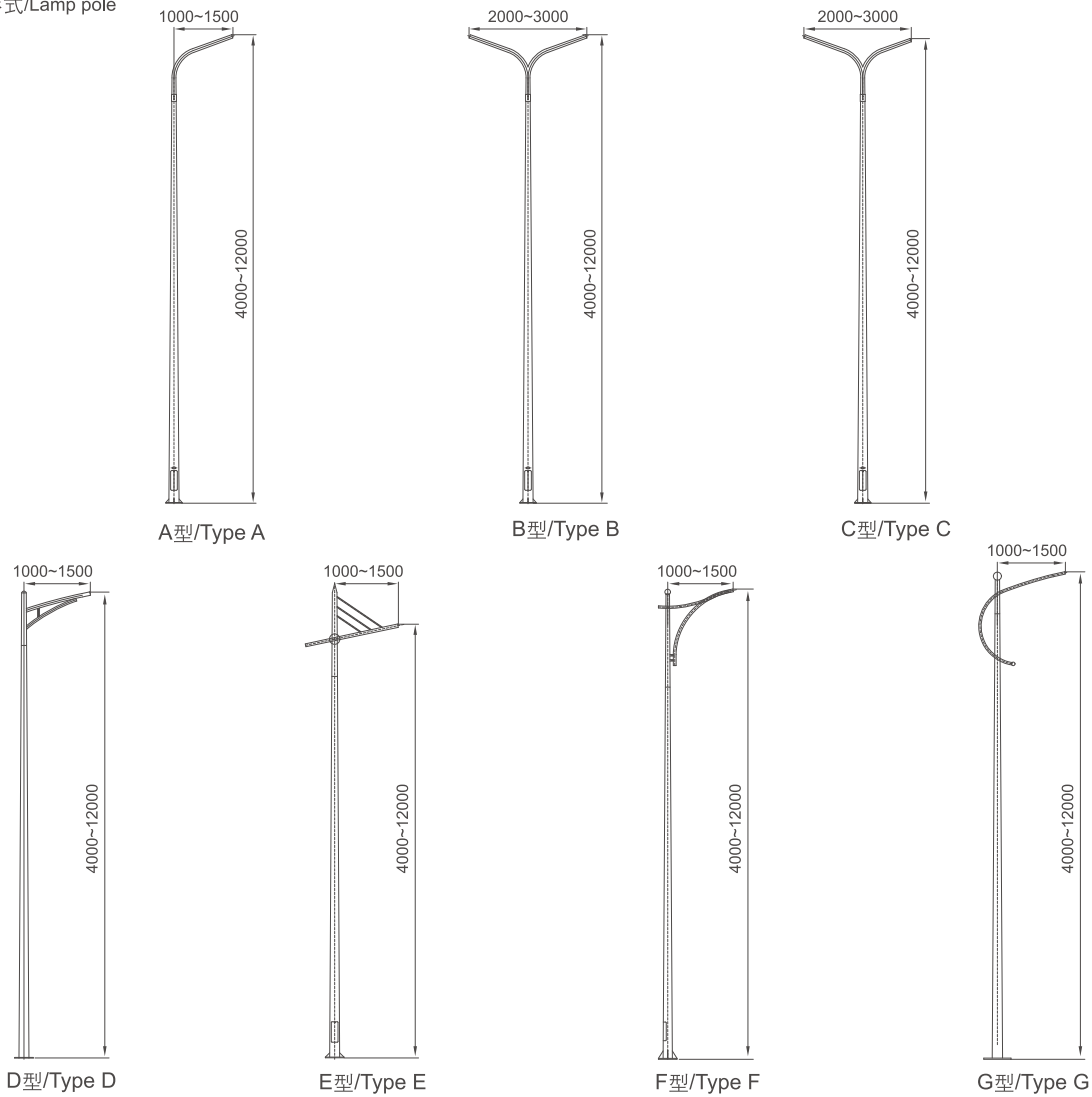


Corrosionproof

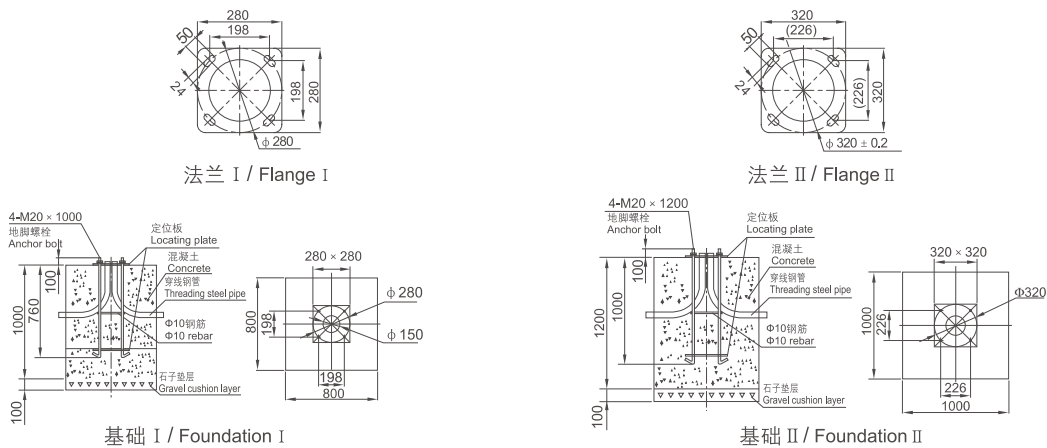
隧道、马路、广场照明类
Tunnel Lamps, Street Lamps and Plaza Light Fittings

◆ 外形及安装举例/Outline and mounting type (mm)

灯杆形式/Lamp pole



基础参考示意图
Lamp pole foundation drawing



注：灯杆高度为10米以下的路灯采用基础 I，灯杆高度为10米(含10米)以上的路灯采用基础 II。
Note: Foundation I is for street lamp with pole below 10m, foundation II is for street lamp with pole of 10m or above.