

FAD-E 系列防水防尘防腐LED灯 A型

Series Weatherproof LED light fittings (A Type)



Waterproof



Dustproof



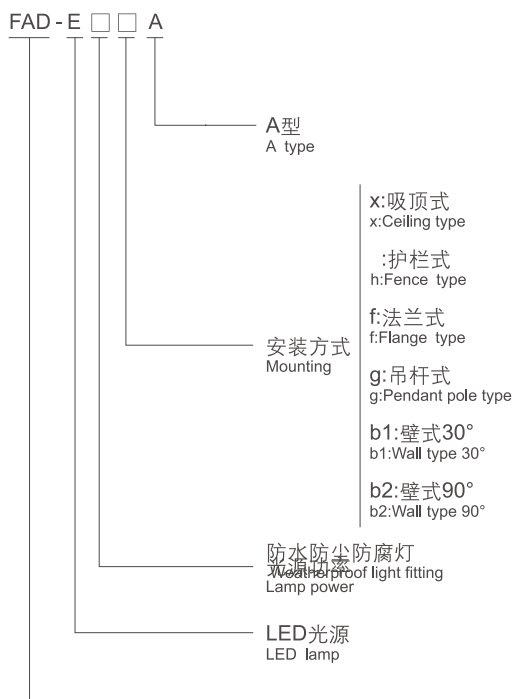
Corrosionproof

Industrial and Mining Weatherproof Light Fittings
工矿用水防尘防腐灯具类



GB IEC EN

◆ 型号规格含义/Catalogue Number Logic



◆ 订货须知/Ordering Information

- ◆ 注明执行标准形式，如中国标准、国际标准、欧盟标准、北美标准
- ◆ 按照产品型号规格说明逐条选择，例如：需要LED灯70W吊杆式安装，则产品选型为FAD-E70g A；
- ◆ 本灯具出厂时光源已配。
- ◆ Specify the executive standard form, such as Chinese National standard, International standard, European standards and American standards.
- ◆ Follow the product catalogue number logic for selection. For example: 70W LED lamp, pendant pole type, the product type shall be FAD-E70g A.
- ◆ The light fittings are supplied with light source.

◆ 产品规格/Product specifications

型号规格 Type	额定功率 Rated power	防护等级 Degree of protection	防腐等级 Corrosion-proof	引入装置 Cable gland	壳体类型 Enclosure type
FAD - E□□A	20	IP66	WF1 WF2(可选/Optional)	G3/4" Φ10mm~Φ14mm	I
	30				
	50				II
	70				



Waterproof



Dustproof

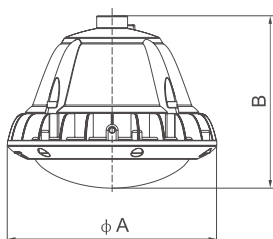


Corrosionproof

◆ 产品特点/Product features

- ◇ 铝合金压铸壳体，表面高压静电喷塑；
 - ◇ 光扩散透明罩，防眩光设计；
 - ◇ 专利的隔热技术，有效隔离热传导，保证产品可靠工作；
 - ◇ 配置多颗国际品牌LED模块，合理排布，单向发光，光线均匀柔和，光效高，显色性高；寿命长，绿色环保；
 - ◇ 特制的恒流恒压电源，宽电压输入，恒功率输出，具有恒流、开路保护、短路保护等功能；
 - ◇ 可根据要求配备应急装置，作为应急事故照明用，应急时间不小于60分钟；
 - ◇ 钢管布线G3/4"。
- ◇ Die-casting aluminum alloy enclosure powder coated surface
 - ◇ Light diffusion transparent cover, anti-glare
 - ◇ Patented heat insulation technology, effectively isolating the heat conduction and keeping the product reliably work
 - ◇ Equipped with many international brand of LED modules, reasonable arrangement unidirectional lighting even and soft light, high luminous efficiency, high color rendering, long service life and environmental protection.
 - ◇ Special constant current constant voltage driving source, wide voltage input, constant power output, with functions of constant current, open circuit protection, short circuit protection etc
 - ◇ Emergency device can be supplied on request for emergency lighting; emergency time not less than 60 minutes.
 - ◇ Steel pipe wiring G3/4"

◆ 外形尺寸/Outline dimension (mm)



壳体类型/Enclosure type	A	B	C	D	E	F	G
I 型/Type I	210	175	342	612	210	635	375
II 型/Type II	258	190	357	627	225	650	390

FAD-E 系列防水防尘防腐LED灯 A型

Series Weatherproof LED light fittings (A Type)



Waterproof



Dustproof



Corrosionproof

技术参数/Technical Parameters



Industrial and Mining Weatherproof Light Fittings
工矿用水防尘防腐灯具类

执行标准 / Executive standards	中国标准(GB)/Chinese National standards	国际标准(IEC)/International standards 欧盟标准(EN)/European standards 北美标准/American standards
工作电压 / Working voltage	220V~240V AC 50Hz / 60Hz	100V~300V AC 50Hz / 60Hz
环境温度 / Ambient temperature	-40℃~+45℃	-40℃~+55℃ -50℃(可选/is optional)
防护等级 / Degree of protection	IP66	
防腐等级 / Corrosion-proof	WF1、WF2(可选/Optional)	
引入装置 / Cable gland	G3/4"引入规格, 适合Φ10mm~Φ14mm电缆 G3/4"suitable for cable of Φ10mm~Φ14mm	
接线端子 / Terminal	≤2.5mm ² 导线可靠连接 / ≤2.5mm ² Reliable connection wire	
安装方式 / Mounting	吸顶式(x)、吊杆式(g)、法兰式(f)、护栏式(h)、壁式30° (b1)、壁式90° (b2) Ceiling type(x),Pendant pole type(g),Flange type(f),Fence type(h),Wall type30° (b1),Wall type90° (b2)	
灯具重量 / Weight of light fitting	I 型/Type I 1.5kg、II 型/Type II 2.4kg	
光源功率 / Lamp power	20W、30W、50W、70W	
配光曲线 / Luminous intensity distribution cd/1000lm	<p>— c 0 / 180 — c 90 / 270</p>	



Waterproof



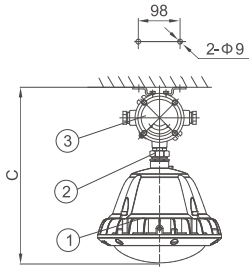
Dustproof



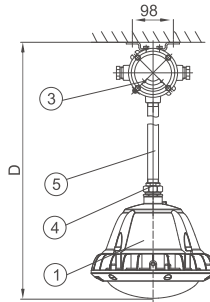
Corrosionproof

Industrial and Mining Weatherproof Light Fittings
工矿用水防尘防腐灯具类

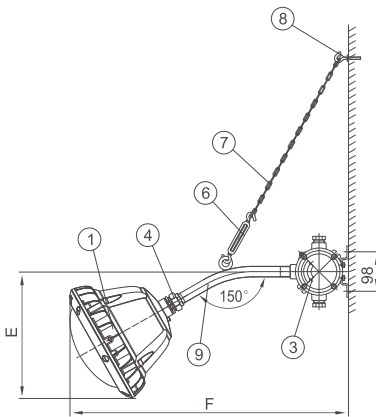
◆ 外形及安装举例/Outline and mounting type



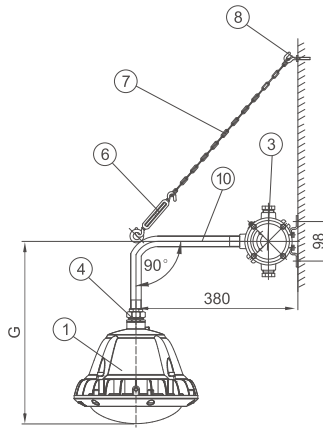
吸顶式/Ceiling type(x)



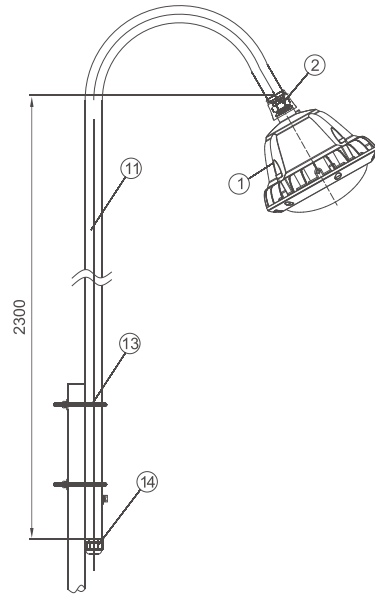
吊杆式/Pendant pole type(g)



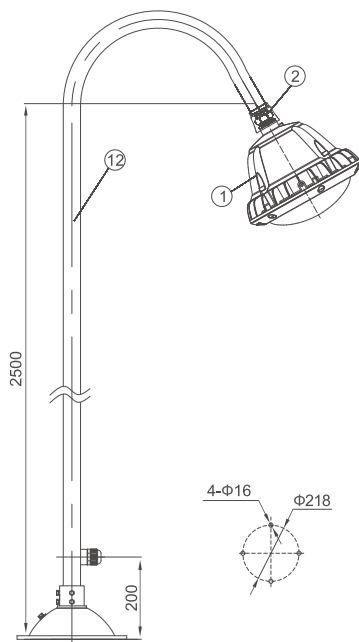
壁式/Wall type30° (b1)



壁式/Wall type90° (b2)



护栏式/Fence type(h)



法兰式/Flange type(f)

序号 No.	名称 Name	备注 Remark
1	FAD-E防水防尘防腐LED灯 FAD-E Weatherproof LED light fittings	
2	防腐活接头FHJ-G ^{3/4} "(外) / ^{3/4} "(外) Weatherproof connector FHJ- G3/4" (male)/ G3/4" (male)	
3	防水防尘防腐接线盒FHD-G ^{3/4} "K Weatherproof junction box FHD-G3/4"K	
4	防腐活接头FHJ-G ^{3/4} "(外) / ^{3/4} "(内) Weatherproof connector FHJ- G3/4" (male)/ G3/4" (female)	用户自备 supplied by user
5	直杆G ^{3/4} " Straight pole	300mm
6	CC型索具螺旋扣 CC type rigging spiral buckle	
7	链条 Chain	450mm
8	膨胀螺钉 Expansion screw	
9	30°弯杆G ^{3/4} " 30° bend pole G3/4"	300mm
10	90°弯杆G ^{3/4} " 90° bend pole G3/4"	400mm
11	护栏杆G1 ^{1/4} " fence pole G1 1/4"	
12	法兰杆G1 ^{1/4} " flange pole G1 1/4"	
13	U型管夹 U type pipe clamps	用户自备 supplied by user
14	三防密封接头FQM- I -G ^{3/4} " Weatherproof cable gland FQM-I- G3/4"	