

## CXH□-1L 系列LED航行信号灯

CXH□-1L Series LED Navigation Signal Lights

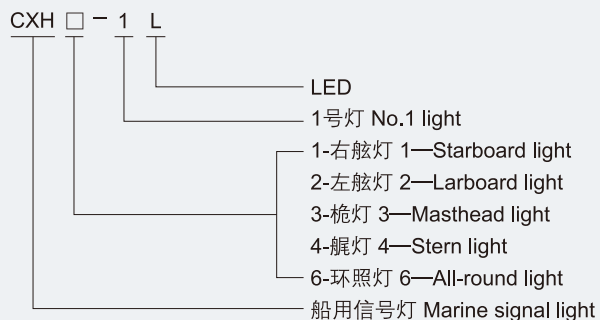


2

### 应用场所 Application

- ◆ 适用于长度≥50米的船舶作昼夜航行灯光信号。
- ◆ Applicable for day and night navigation signal of ships of which the length is 50m(or above).

### 型号含义 Catalogue Number Logic



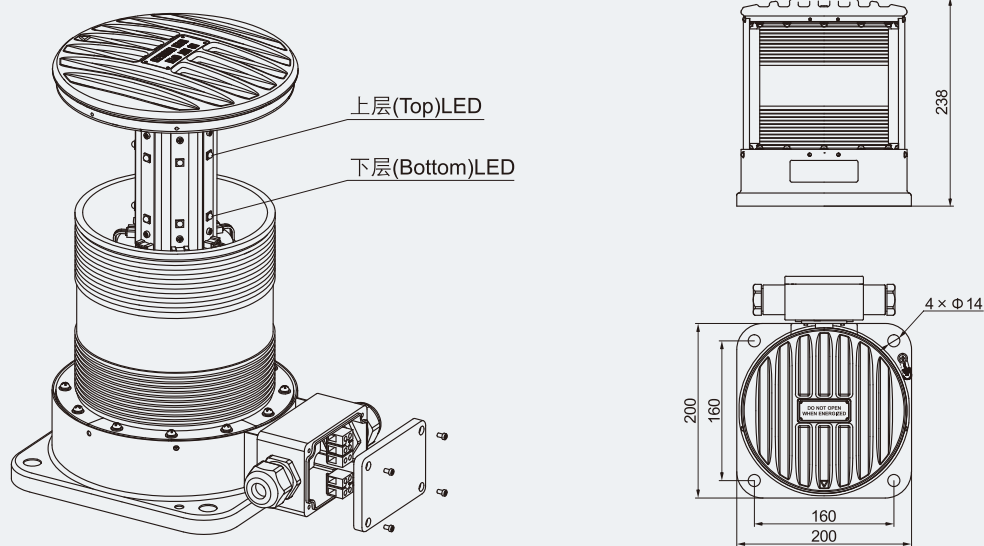
### 产品特性 Features

- ◆ 壳体为不锈钢拉伸成型，表面喷塑；
- ◆ 采用PC材质透光罩，抗紫外线、不褪色；
- ◆ 海工专用铝合金散热装置，有效散发光源热量；
- ◆ 国际品牌LED光源，使用寿命大于10万小时；
- ◆ 设有主辅两路电源输入，互不干涉：
  - 主电：220V/230V AC，上层LED光源点亮；
  - 辅电：24V DC，下层LED光源点亮；
- ◆ 灯具底座设有呼吸装置，平衡内外压差；
- ◆ 外置接线盒，便于用户接线。
- ◆ The enclosure is stretching formed of stainless steel, powder coated surface;
- ◆ PC transparent cover, uvioresistant and colorfast;
- ◆ Maritime special aluminium alloy radiator can effectively dissipate the heat of light source;
- ◆ International brand of LED light source, service life more than 100000 hours;
- ◆ Designed with main power input and auxiliary power input, mutual non-interference;
  - Main power:** 220V/230V AC, light up the top LED light source;
  - Auxiliary power:** 24V DC, light up the bottom LED light source;
- ◆ The base of light fitting is equipped with breathing equipment to balance the inside and outside differential pressure;
- ◆ Equipped with terminal box, convenient for users to connect the wires.

## 技术参数 Technical parameters

◆ 产品证书 <b>Certificate</b>	CCS型式认可、BV认证、ABS认证 CCS type certificate, BV certificate, ABS certificate
◆ 执行标准 <b>Compliance</b>	符合《1972年国际海上避碰规则》和《钢质海船入级规范》、IEC60598.1、GB/T3028 Conform to the International Regulations For Preventing Collisions at Sea, 1972, Rules For Classification Of Sea-going Steel Ships, IEC60598.1 and GB/T3028
◆ 额定电压 <b>Rated voltage</b>	主电 Main power: 220V / 230V AC 50/60Hz 辅电 Auxiliary power: 24V DC
◆ 额定功率 <b>Rated power</b>	4.5W~8W
◆ 温度范围 <b>Temperature</b>	-40℃~+55℃
◆ 防护等级 <b>Degree of protection</b>	IP66

## 外形示意图 (尺寸单位为mm) Outline drawing (all dimensions in mm)



2

## 选配表 Selection table

● 绿Green ● 红Red ○ 白色White ● 黄Yellow

名称 Name	型号 Model	额定电压 Rated voltage	可见距离 Visibility	水平光弧 Level arc	颜色 Color	重量(kg) Weight
右舷灯 Starboard light	CXH1-1L	220V/230V AC 24V DC	3n.m	112.5°	●	3.6
左舷灯 Larboard light	CXH2-1L		3n.m	112.5°	●	3.6
桅灯 Masthead light	CXH3-1L		6n.m	225°	○	3.5
艉灯 Stern light	CXH4-1L		3n.m	135°	●○●	3.6
环照灯 All-round light	CXH6-1L		3n.m	360°	●●○●	3.4