

CXH5-1 系列桅顶灯

CXH5-1 Series Top Lights



I 型
Type I

II 型
Type II

2

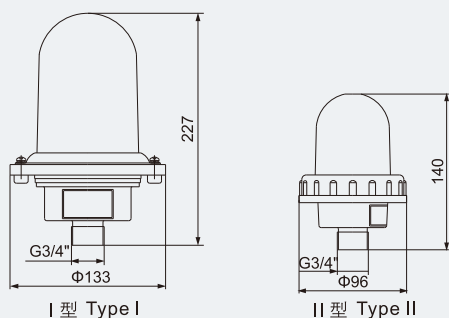
应用场所 Application

- ◆ 适用于船舶作昼夜航行灯光信号。
- ◆ Applicable for day and night navigation signal of ships.

型号含义 Catalogue Number Logic



外形尺寸 Outline Dimension



I 型 Type I

II 型 Type II

选配表 Selection table

● 绿Green ● 红Red ○ 白色White ● 黄Yellow

| 名称 Name | 型号 Model | 规格 Spec. | 防护等级 Degree of protection | 灯座 Lamp holder | 可见距离 Visibility | 水平光弧 Level arc | 颜色 Color | 壳体类型 Enclosure | 重量(kg) Weight |
|------------------|-------------|-------------------|------------------------------|-------------------|--------------------|-------------------|-------------|-------------------|------------------|
| 桅顶灯 Top light | CXH5-1 | 110V/60W 220V/65W | IP56 | E27 | 3n.m | 360° | | I | 0.92 |
| | | 24V/60W | | | | | | II | 0.50 |

产品特性 Features

- ◆ 螺纹式联接法兰，方便安装及更换光源；
- ◆ 灯罩采用专用耐热玻璃，透光率90%以上；
- ◆ 电缆外径：适合 $\phi 10 \sim \phi 14$ mm 的电缆连接。
- ◆ Threaded connection flange; easy for installing and replacing the light source;
- ◆ Lampshade is made of special heat resistant glass; light transmission $\geq 90\%$;
- ◆ Cable outer diameter: $\phi 10 \sim \phi 14$ mm.

执行标准 Standards

- ◆ 符合《1972年国际海上避碰规则》和《钢质海船入级规范》、IEC60598.1、GB/T3028。
- ◆ Conform to the International Regulations For Preventing Collisions at Sea, 1972, Rules For Classification Of Sea-going Steel Ships, IEC60598.1 and GB/T3028.

产品认证 Product Certification

- ◆ CCS型式认可、BV认证、ABS认证
- ◆ CCS type certificate, BV certificate, ABS certificate

温度范围 Temperature

- ◆ $-25^{\circ}\text{C} \sim +55^{\circ}\text{C}$