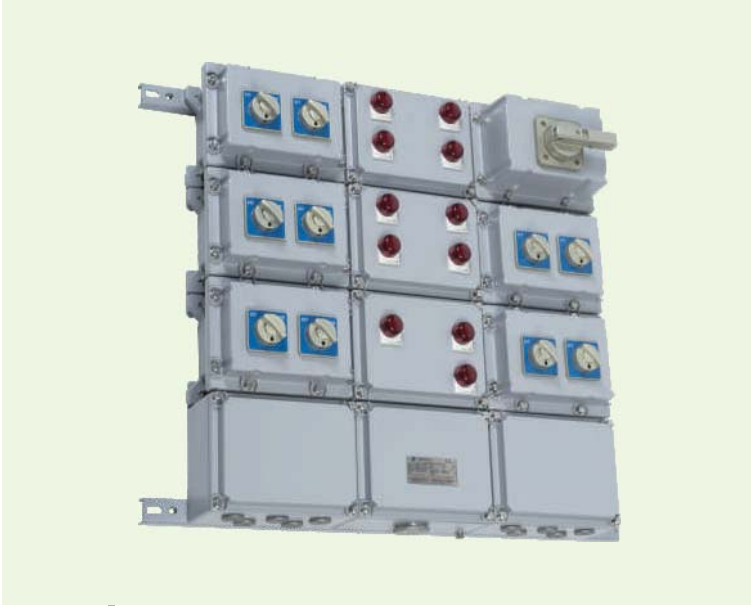


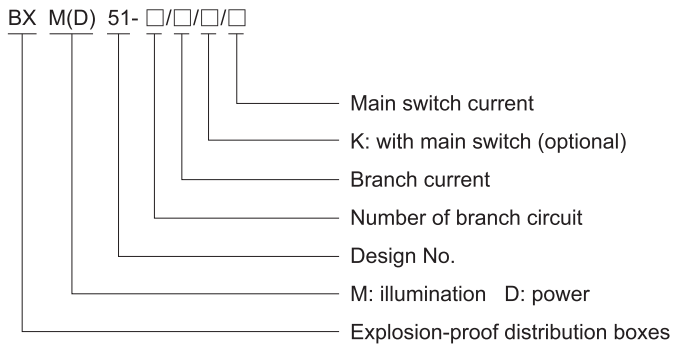
Distribution Boxes

BXM(D)51 Series Explosion-proof Illumination (Power) Distribution Boxes (Ex d e IIB)



- ◆ Explosion protection to
 - CENELEC
 - IEC
 - NEC
- ◆ Can be used in
 - Zone 1 and Zone 2
 - Zone 21 and Zone 22
 - Class I, Zone 1 and Zone 2
 - Class I, Division 2, Groups C, D
- ◆ Enclosure for modular combination (Ex d & Ex e).
- ◆ Main switch and branch switch are operated with external rotary actuator.
- ◆ Internal wiring to the terminal is finished.
- ◆ International brand of explosion-proof terminal.
- ◆ Copper-free aluminium, powder coated surface.
- ◆ Entries plugged. Cable glands on request (see P7/17~19).
- ◆ Special requirements on request.

■ Catalogue number logic



Zones 1&2; 21&22

Distribution Boxes

BXM51 Series Explosion-proof Illumination Distribution Boxes (Ex d e IIB)

Technical data

Explosion-proof illumination distribution boxes BXM51-□/□/□/□

Explosion protection

Gas explosion protection

⊕ II 2 G Ex d e IIB T6

Dust explosion protection

Ex tD A21 IP65 T80°C

Certificates

For gas explosion protection

PTB 03 ATEX 1078; IECEx CQM 07.0012

For dust explosion protection

PCEC (China)

Conformity to standards

EN 50014, EN 50018, EN 50019

IEC 60079-0, IEC 60079-1, IEC 60079-7, IEC 61241-0, IEC 61241-1

General power supply

Rated voltage: max. 415V AC 50/60Hz; Rated current: max.100A

Branch current

1A, 2A, 4A, 6A, 10A, 16A, 20A, 25A, 32A

Exposed fastener

Stainless steel

Enclosure

Enclosure material

Copper-free aluminium, powder coated surface

Enclosure colour

Window grey (RAL7040)

Enclosure type

Modular combination (Ex d & Ex e); MCB, MCCB or other components in Ex d compartment, explosion-proof indicators and terminals in Ex e compartment.

Built-in components

Main switch

MCB (miniature circuit breaker) or MCCB (moulded case circuit breaker)

Note: earth leakage protection on request

Branch switch

MCB (miniature circuit breaker)

Note: earth leakage protection on request

Terminal

International brand of explosion-proof terminal

Indicator

Red

Degree of protection

IP65

Ambient temperature

-20°C~+55°C

Cable entries

Standard M□ x 1.5 plug (see the Selection table on P6/4)

Cable gland (optional)

DQM-I (Ex e) is recommended. Please see P7/17~19

Entry direction

Bottom

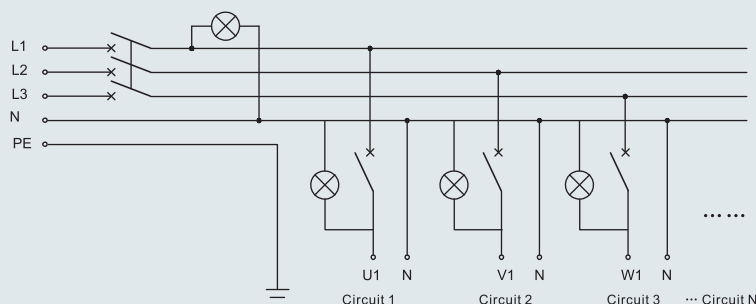
Mounting

Surface type (standard)

Pedestal type (optional)



Electrical schematic diagram



BXM51 Series explosion-proof illumination distribution boxes

Distribution Boxes

BXM51 Series Explosion-proof Illumination Distribution Boxes (Ex d e IIB)

Selection table of BXM 51 series explosion-proof illumination distribution boxes

Version	Description					Cable entries	
	Main switch	Number of branch circuit	Branch switch	Branch current	Number of indicator		
BXM51-4/□/K/□	MCB or MCCB	4	MCB 1 P/2 P	1A 2A 4A 6A 10A 16A 20A 25A 32A On request	1+4	1 x M40 x 1.5 + 4 x M25 x 1.5	
BXM51-6/□/K/□		6			1+6	1 x M40 x 1.5 + 6 x M25 x 1.5	
BXM51-8/□/K/□		8			1+8	1 x M40 x 1.5 + 8 x M25 x 1.5	
BXM51-10/□/K/□		Current: max. 100A			10	1+10	1 x M40 x 1.5 + 10 x M25 x 1.5
BXM51-12/□/K/□					12	1+12	1 x M40 x 1.5 + 12 x M25 x 1.5
BXM51-4/□	—	4	MCB 1 P/2 P	1A 2A 4A 6A 10A 16A 20A 25A 32A On request	4	1 x M40 x 1.5 + 4 x M25 x 1.5	
BXM51-6/□		6			6	1 x M40 x 1.5 + 6 x M25 x 1.5	
BXM51-8/□		8			8	1 x M40 x 1.5 + 8 x M25 x 1.5	
BXM51-10/□		10			10	1 x M40 x 1.5 + 10 x M25 x 1.5	
BXM51-12/□		12			12	1 x M40 x 1.5 + 12 x M25 x 1.5	

Note

1. Please specify the number and size of cable entries and sides of the enclosure to be fitted.
2. Electrical schematic diagram shall be provided by user. Photo switch, AC contactor, thermal relay or others on request.
3. Please specify mounting type when ordering.
4. Rainproof canopy on request.



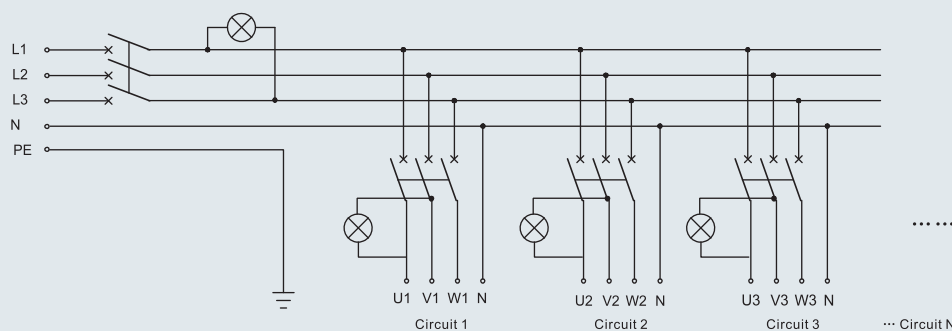
Distribution Boxes

BXD51 Series Explosion-proof Power Distribution Boxes (Ex d e IIB)

Technical data	
Explosion-proof power distribution boxes	BXD51-□/□/□/□
Explosion protection	
Gas explosion protection	⊕ II 2 G Ex d e IIB T6
Dust explosion protection	Ex tD A21 IP65 T80°C
Certificates	
For gas explosion protection	PTB 03 ATEX 1078; IECEx CQM 07.0012
For dust explosion protection	PCEC (China)
Conformity to standards	
	EN 50014, EN 50018, EN 50019
	IEC 60079-0, IEC 60079-1, IEC 60079-7, IEC 61241-0, IEC 61241-1
General power supply	
Branch current	Rated voltage: max. 415V AC 50/60Hz; Rated current: max. 250A
Exposed fastener	1A, 2A, 4A, 6A, 10A, 16A, 20A, 25A, 32A, 40A, 50A, 63A
Enclosure	
Enclosure material	Stainless steel
Enclosure colour	Copper-free aluminium, powder coated surface
Enclosure type	Window grey (RAL7040)
	Modular combination (Ex d & Ex e); MCB, MCCB or other components in Ex d compartment, explosion-proof indicators and terminals in Ex e compartment.
Built-in components	
Main switch	MCB (miniature circuit breaker) or MCCB (moulded case circuit breaker)
	Note: earth leakage protection on request
Branch switch	MCB (miniature circuit breaker)
	Note: earth leakage protection on request
Terminal	International brand of explosion-proof terminal
Indicator	Red
Degree of protection	IP65
Ambient temperature	-20°C~+55°C
Cable entries	Standard M□ x 1.5 plug (see the Selection table on P6/6)
Cable gland (optional)	DQM-I (Ex e) is recommended. Please see P7/17~19
Entry direction	Bottom
Mounting	Surface type (standard)
	Pedestal type (optional)



Electrical schematic diagram



BXD51 Series explosion-proof power distribution boxes

Selection table of BXD51 series explosion-proof power distribution boxes

Version	Description					Cable entries
	Main switch	Number of branch circuit	Branch switch	Branch current	Number of indicator	
BXD51-4/□/K/□	MCB or MCCB	4	MCB 3P	1A	1+4	1 x M50 x 1.5 + 4 x M25 x 1.5
BXD51-6/□/K/□		6		2A	1+6	1 x M50 x 1.5 + 6 x M25 x 1.5
BXD51-8/□/K/□		8		4A	1+8	1 x M50 x 1.5 + 8 x M25 x 1.5
BXD51-10/□/K/□		10		6A	1+10	1 x M50 x 1.5 + 10 x M25 x 1.5
BXD51-12/□/K/□		12		10A	1+12	1 x M50 x 1.5 + 12 x M25 x 1.5
	Current: max. 250A			16A		
				20A		
				25A		
				32A		
				40A		
				50A		
				63A		
				On request		
BXD51-4/□	—	4	MCB 3P	1A	4	1 x M50 x 1.5 + 4 x M25 x 1.5
BXD51-6/□		6		2A	6	1 x M50 x 1.5 + 6 x M25 x 1.5
BXD51-8/□		8		4A	8	1 x M50 x 1.5 + 8 x M25 x 1.5
BXD51-10/□		10		6A	10	1 x M50 x 1.5 + 10 x M25 x 1.5
BXD51-12/□		12		10A	12	1 x M50 x 1.5 + 12 x M25 x 1.5
				16A		
				20A		
				25A		
				32A		
				40A		
				50A		
				63A		
				On request		

Note

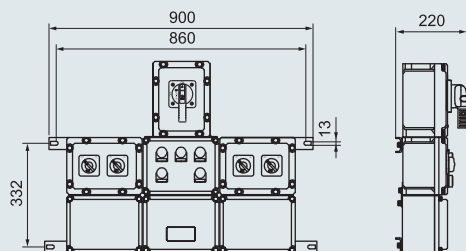
1. Please specify the number and size of cable entries and sides of the enclosure to be fitted.
2. Electrical schematic diagram shall be provided by user. Photo switch, AC contactor, thermal relay or others on request.
3. Please specify mounting type when ordering.
4. Rainproof canopy on request.



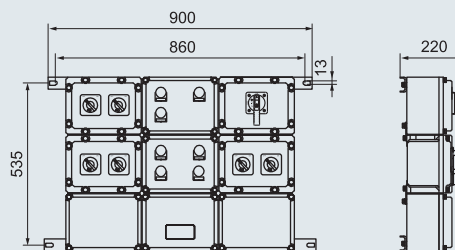
Distribution Boxes

BXM(D)51 Series Explosion-proof Illumination (Power) Distribution Boxes (Ex d e IIB)

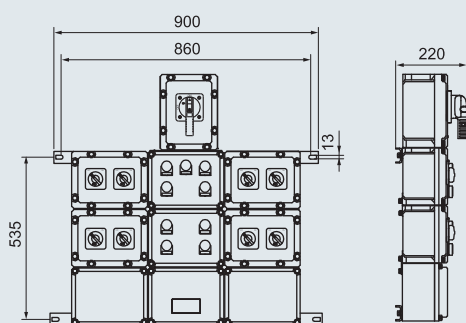
Dimension drawings (all dimensions in mm) - subject to alteration



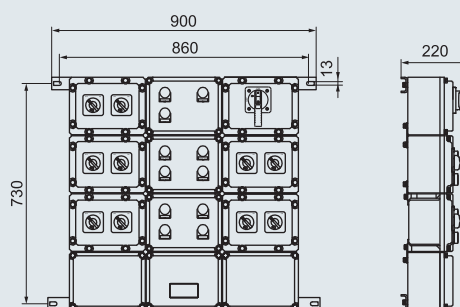
BXM(D)51-4/□/K/□



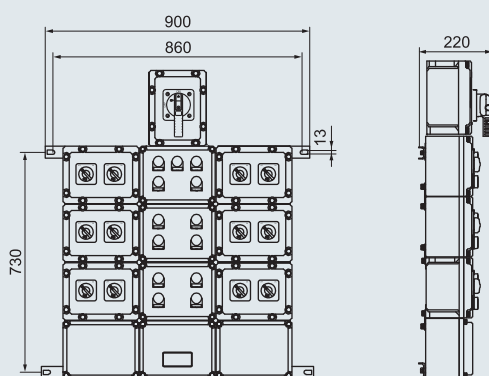
BXM(D)51-6/□/K/□



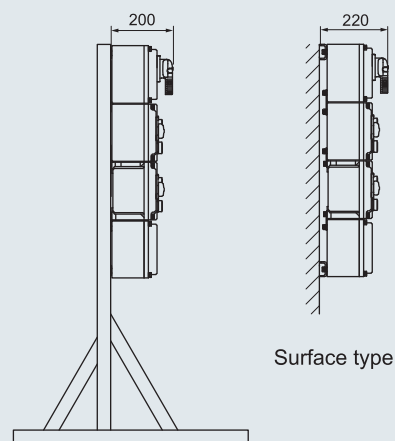
BXM(D)51-8/□/K/□



BXM(D)51-10/□/K/□



BXM(D)51-12/□/K/□



Pedestal type

Surface type

