

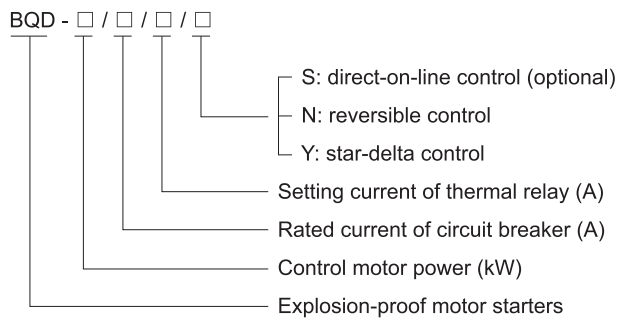
## Standard Motor Starters

### BQD Series Explosion-proof Motor Starters (Ex d e IIC)



- ◆ Explosion protection to
  - CENELEC
  - IEC
  - NEC
- ◆ Can be used in
  - Zone 1 and Zone 2
  - Class I, Zone 1 and Zone 2
  - Class I, Division 2, Groups A, B, C, D
- ◆ Classified as IIC according to gas atmosphere.
- ◆ Different motor starters.
- ◆ Copper-free aluminium enclosure, powder coated surface.

#### ■ Catalogue number logic



#### ■ Note

1. Please select the model by Catalogue number logic above, and specify all technical data;
2. Please specify Ex-mark when ordering;
3. Entry size, entry direction, enclosure material, etc. on request.



# Zones 1&2

## Standard Motor Starters

## BQD Series Explosion-proof Motor Starters (Ex d e IIC)

Technical data	
<b>Explosion-proof motor starters (direct-on-line control) BQD-□/□/□</b>	
<b>Explosion protection</b>	Ex II 2 G Ex d e IIC T6 Ex d e IIC T6 Gb
<b>Certificates</b>	LCIE 10 ATEX 3075; IECEx CQM 11.0017X
<b>Conformity to standards</b>	EN 60079-0, EN 60079-1, EN 60079-7 IEC 60079-0, IEC 60079-1, IEC 60079-7
<b>Enclosure material</b>	Copper-free aluminium, powder coated surface
<b>Enclosure colour</b>	Window grey (RAL7040)
<b>Exposed fastener</b>	Stainless steel
<b>Components</b>	MCB (miniature circuit breaker) AC contactor Thermal overload relay Indicator, pushbutton
<b>Rated voltage</b>	380/400V AC 50/60Hz
<b>Degree of protection</b>	IP65
<b>Ambient temperature</b>	-20°C~+55°C
<b>Cable entries</b>	Standard M□ x 1.5 plug; See Selection table as below
<b>Cable gland (optional)</b>	DQM-I (Ex e) is recommended. Please see P7/17~19
<b>Entry direction</b>	Bottom

Selection table						
Version	Control motor power (kW)	Rated current of circuit breaker (A)	Adjustable range of setting current of thermal relay (A)	Rated current of contactor (A)	Cable entry size	Enclosure weight (kg)
BQD-4/16/7~10	4	16	7~10, Ie=8.5	9	2 x M25 x 1.5	28.00
BQD-5.5/20/9~13	5.5	20	9~13, Ie=11	12	2 x M25 x 1.5	28.00
BQD-7.5/25/12~18	7.5	25	12~18, Ie=16	18	2 x M32 x 1.5	28.00
BQD-11/32/16~24	11	32	16~24, Ie=23	25	2 x M32 x 1.5	28.00
BQD-15/40/23~32	15	40	23~32, Ie=30	32	2 x M32 x 1.5	28.00
BQD-18.5/50/30~38	18.5	50	30~38, Ie=36	40	2 x M40 x 1.5	28.00
BQD-22/63/37~50	22	63	37~50, Ie=46	50	2 x M40 x 1.5	28.00

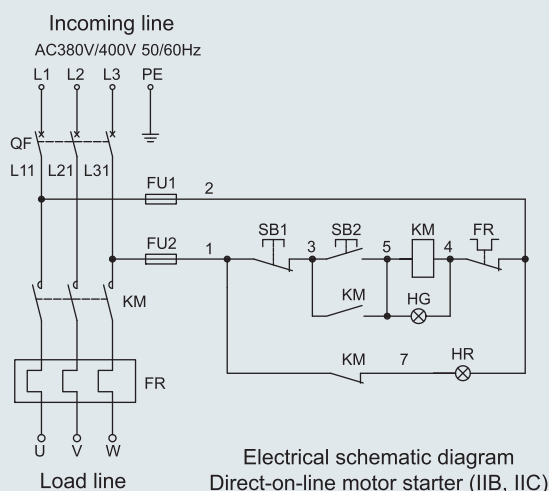
Dimension drawings (all dimensions in mm) - subject to alteration	
4kW-22kW	





## Standard Motor Starters BQD Series Explosion-proof Motor Starters

### Electrical schematic diagram



Code of electric components

QF: circuit breaker

KM: AC contactor

FR: thermal relay

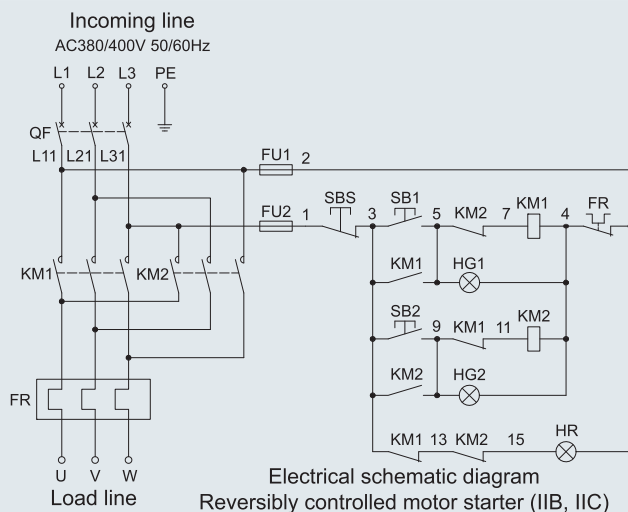
FU1, FU2: fuse

SB1: stop button

SB2: start button

HR: stop indicator

HG: running indicator



Code of electric components

QF: circuit breaker

KM1, KM2: AC contactor

FR: thermal relay

FU1, FU2: fuse

SBS: stop button

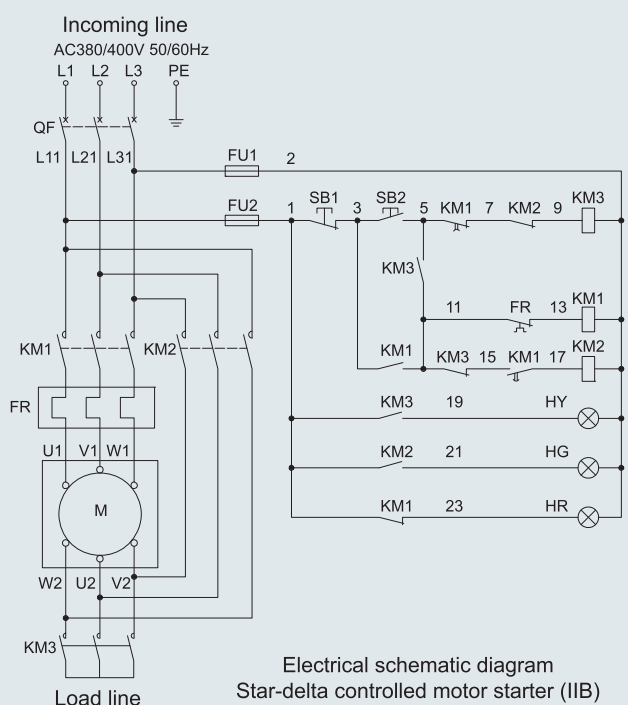
SB1: non-reversible start button

SB2: reversible start button

HR: stop indicator

HG1: non-reversible running indicator

HG2: reversible running indicator



Code of electric components

QF: circuit breaker

KM1: main contactor

KM3: star start contactor

KM2: triangle running contactor

FR: thermal relay

FU1, FU2: fuse

SB1: stop button

SB2: start button

HR: stop indicator

HY: star start indicator

HG: triangle running indicator

