

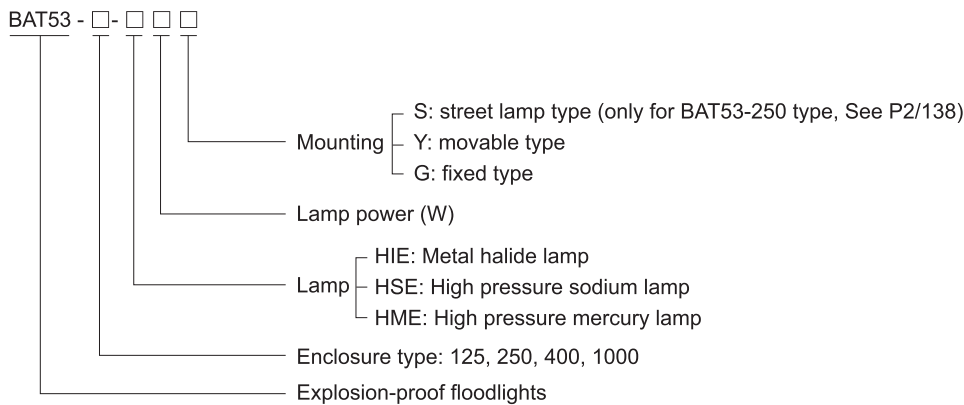
Floodlights

BAT53 Series Explosion-proof Floodlights



- ◆ Explosion protection to
 - CENELEC
 - IEC
 - NEC
- ◆ Can be used in
 - Zone 1 and Zone 2
 - Zone 21 and Zone 22
 - Class I, Zone 1 and Zone 2
 - Class I, Division 2, Groups C, D
 - Class I, Division 1, Groups C, D
- ◆ Four enclosure types: 125, 250, 400, 1000.
- ◆ Integral control gear, easy installation and maintenance.
- ◆ Rapid starting trigger, stable performance and long service life.
- ◆ Enclosure in copper-free aluminium, powder coated surface, yellow (RAL1021).
- ◆ Toughened glass cover resistant to temperature changes.

Catalogue number logic



Selection table

Type/Ordering code	Available lamp power (W)			Lamp holder	Weight (kg)
	HIE	HSE	HME		
BAT53-125	70, 100, 150	70, 100	80, 125	E27	8.45
BAT53-250	175, 250	150, 250	175, 250	E40	14.75
BAT53-400	400	400	-	E40	30.75
BAT53-1000	1000	1000	-	E40	115.00

Note

1. Please specify any spare parts when ordering. See Accessories table.
2. 125, 250 and 400 type light fittings are supplied without lamp. PHILIPS lamps are recommended.
3. HPI European standard ballast is supplied with HIE light fitting. HPI European standard lamps are recommended.
4. 1000 type light fittings are supplied with lamp and ballast.

Zones 1&2; 21&22

Floodlights

BAT53 Series Explosion-proof Floodlights

Technical data	
Explosion-proof floodlights	BAT53-125-□□□
Explosion protection	<p>Gas explosion protection $\text{Ex II 2 G Ex d e IIB T}\square^{1)} \text{ Gb}$</p> <p>Dust explosion protection $\text{Ex II 2 D Ex tb IIIC T}\square^{1)} \text{ Db IP66}$</p> <p>¹⁾ See Selection table</p>
Certificates	ATEX (applied for); IECEx CQM 13.0037X
Conformity to standards	EN 60079-0, EN 60079-1, EN 60079-7, EN 60079-31 IEC 60079-0, IEC 60079-1, IEC 60079-7, IEC 60079-31
Material	
Enclosure	Copper-free aluminium, powder coated surface, yellow (RAL1021)
Glass cover	Toughened glass, stands 4J impact
Ballast	Electromagnetic ballast, rapid starting, stable performance
Wire guard	Powder coated carbon steel, white
Internal reflector	High-purity aluminium
Trigger	Explosion-proof electronic trigger
Capacitor	Power factor ≥ 0.90 (compensated)
Exposed fastener	Stainless steel
Lamp	
Lamp holder	E27
Available lamp and lamp power (W)	High pressure sodium lamp (HSE): 70W, 100W High pressure mercury lamp (HME): 80W, 125W Metal halide lamp (HIE): 70W, 100W, 150W Note: HPI European standard ballast is available in general
Rated voltage	220~240V AC 50Hz (60Hz is optional)
Earthing protection	M5 (internal & external earth bolts)
Degree of protection	IP66
Ambient temperature	-60°C~+55°C
Terminal	3 x 1.5~2.5mm ² (L+N+PE)
Cable entries	2 x $\Phi 21$: 1 x M20 x 1.5 cable gland (DQM-I Ex e, carbon steel), 1 x M20 x 1.5 plug
Available cable outer diameter	$\Phi 5\sim\Phi 10$ (mm)



Selection table				Dimension drawings (all dimensions in mm) - subject to alteration	
Lamp	Lamp power (W)	Temperature classes			
		Gas	Dust		
HIE	70	T156°C	T156°C		
HSE	70	T156°C	T156°C		
HSE	100	T185°C	T185°C		
HIE	100	T181°C	T181°C		
HIE	150	T190°C	T190°C		
HME	80	T163°C	T163°C		
HME	125	T209°C	T209°C		

Floodlights

BAT53 Series Explosion-proof Floodlights

Technical data

Explosion-proof floodlights

BAT53-250-□□□

Explosion protection

- Gas explosion protection
- Dust explosion protection

Ex II 2 G Ex d e IIB T3 Ex d e IIB T3 Gb
Ex tD A21 IP65 T190°C

Certificates

- For gas explosion protection
- For dust explosion protection

LCIE 05 ATEX 6143; IECEX CQM 07.0004; KZ.7500525.22.01.00380 (CU-TR)
PCEC (China)

Conformity to standards

EN 60079-0, EN 60079-1, EN 60079-7

IEC 60079-0, IEC 60079-1, IEC 60079-7, IEC 61241-0, IEC 61241-1

Material

- Enclosure
- Glass cover
- Ballast
- Wire guard
- Internal reflector
- Trigger
- Capacitor
- Exposed fastener

Copper-free aluminium, powder coated surface, yellow (RAL1021)
Toughened glass, stands 4J impact
Electromagnetic ballast, rapid starting, stable performance
Powder coated carbon steel, white
High-purity aluminium
Explosion-proof electronic trigger
Power factor ≥ 0.90 (compensated)
Stainless steel

Lamp

- Lamp holder
- Available lamp and lamp power (W)

E40
High pressure sodium lamp (HSE): 150W, 250W
High pressure mercury lamp (HME): 175W, 250W
Metal halide lamp (HIE): 175W, 250W
Note: HPI European standard ballast is available in general
220~240V AC 50Hz (60Hz is optional)
M5 (internal & external earth bolts)
IP65
-20°C~+55°C
3 x 1.5~2.5mm² (L+N+PE)
2 x $\Phi 26$: 1 x M25 x 1.5 cable gland (DQM-I Ex e, carbon steel), 1 x M25 x 1.5 plug
 $\Phi 10 \sim \Phi 14$ (mm)

Rated voltage

Earthing protection

Degree of protection

Ambient temperature

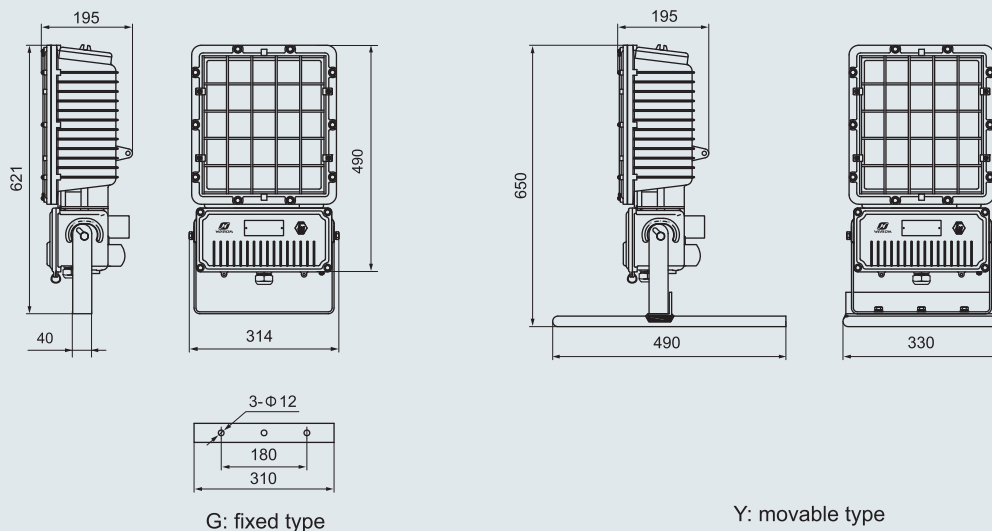
Terminal

Cable entries

Available cable outer diameter



Dimension drawings (all dimensions in mm) - subject to alteration



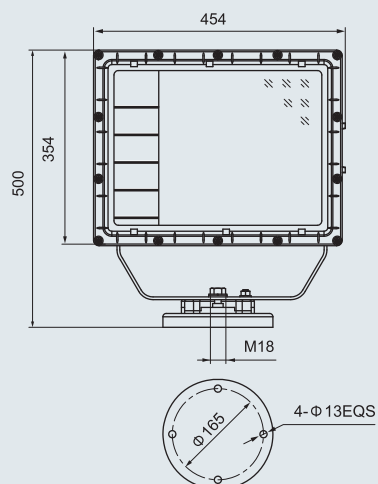
Floodlights

BAT53 Series Explosion-proof Floodlights

Technical data	
Explosion-proof floodlights	BAT53-400-□□□
Explosion protection	
Gas explosion protection	⊕ II 2 G Ex d e IIB T3
Dust explosion protection	Ex tD A21 IP65 T190°C
Certificates	
For gas explosion protection	LCIE 07 ATEX 6106; IECEx CQM 08.0014; KZ.7500525.22.01.00380 (CU-TR)
For dust explosion protection	PCEC (China)
Conformity to standards	EN 60079-0, EN 60079-1, EN 60079-7 IEC 60079-0, IEC 60079-1, IEC 60079-7, IEC 61241-0, IEC 61241-1
Material	
Enclosure	Copper-free aluminium, powder coated surface, yellow (RAL1021)
Glass cover	Toughened glass, stands 4J impact
Ballast	Electromagnetic ballast, rapid starting, stable performance
Internal reflector	High-purity aluminium
Trigger	Explosion-proof electronic trigger
Capacitor	Power factor ≥ 0.90 (compensated)
Exposed fastener	Stainless steel
Wire guard (optional)	Powder coated carbon steel, white
Lamp	
Lamp holder	E40
Available lamp and lamp power (W)	High pressure sodium lamp (HSE): 400W (tubular) Metal halide lamp (HIE): 400W (tubular) Note: HPI European standard ballast is available in general
Rated voltage	220~240V AC 50Hz (60Hz is optional)
Earthing protection	M5 (internal & external earth bolts)
Degree of protection	IP65
Ambient temperature	-20°C~+55°C
Terminal	3 x 1.5~2.5mm ² (L+N+PE)
Cable entries	2 x M25 x 1.5: 1 x M25 x 1.5 cable gland (DQM-I Ex e, carbon steel), 1 x M25 x 1.5 plug
Available cable outer diameter	Φ 10~Φ 14 (mm)



Dimension drawings (all dimensions in mm) - subject to alteration



Floodlights

BAT53 Series Explosion-proof Floodlights

Technical data

Explosion-proof floodlights

BAT53-1000-□□□

Explosion protection

- Gas explosion protection
- Dust explosion protection

⊕ II 2 G Ex d IIB T3 Gb

⊕ II 2 D Ex tb IIIC T193°C Db IP66

Certificates

EPT 15 ATEX 1977X; IECEx CQM 14.0066X; KZ.7500525.22.01.00380 (CU-TR)

Conformity to standards

EN 60079-0, EN 60079-1, EN 60079-31

IEC 60079-0, IEC 60079-1, IEC 60079-31

Material

Enclosure

Welded carbon steel, powder coated surface, yellow (RAL1021)

Glass cover

Toughened glass, stands 4J impact

Ballast

Electromagnetic ballast, rapid starting, stable performance

Trigger

General trigger

Capacitor

Power factor ≥ 0.90 (compensated)

Internal reflector

High-purity aluminium

Exposed fastener

Stainless steel

Lamp

Lamp holder

E40

Available lamp and lamp power (W)

High pressure sodium lamp (HSE):1000W

Metal halide lamp (HIE):1000W

Note: HPI European standard ballast is available in general

Rated voltage

230V AC 50Hz (60Hz is optional)

Earthing protection

M5 (internal & external earth bolts)

Degree of protection

IP66

Ambient temperature

-20°C~+55°C

Terminal

3 x 1.5~2.5mm² (L+N+PE)

Cable entries

1 x M25 x 1.5

Cable gland

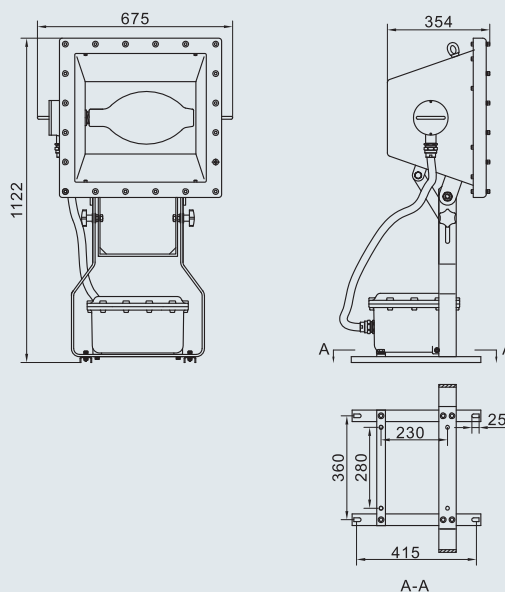
The cable between floodlight and ballast through BNG-M25 x 1.5(M)/M25 x 1.5(M) explosion-proof flexible conduit (length: 1000 mm); One explosion-proof cable gland (DQM-II-M25 x 1.5, Ex d, brass, armored, cable wiring)

Available cable outer diameter

Φ 10~Φ 14 (mm)



Dimension drawings (all dimensions in mm) - subject to alteration



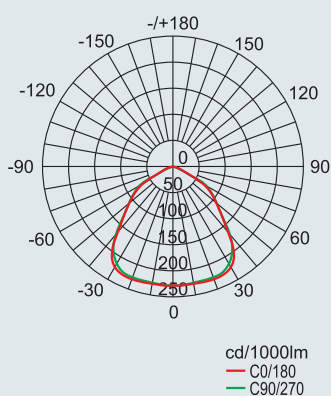
Floodlights

BAT53 Series Explosion-proof Floodlights

Photometric data

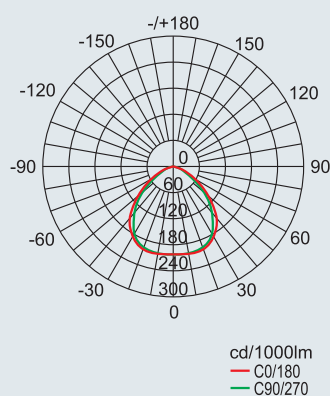
BAT53-125-□□□

Rated luminous flux
 70W Metal halide lamp: 5000 lm
 100W Metal halide lamp: 9000 lm
 150W Metal halide lamp: 13500 lm
 70W High pressure sodium lamp: 6600 lm
 100W High pressure sodium lamp: 10200 lm
 80W High pressure mercury lamp: 3800 lm
 125W High pressure mercury lamp: 6300 lm
 The data from Philips lamp



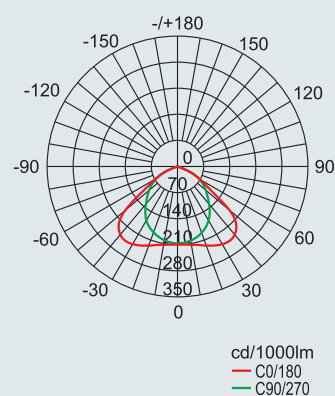
BAT53-250-□□□

Rated luminous flux
 175W Metal halide lamp: 16000 lm
 250W Metal halide lamp: 23500 lm
 150W High pressure sodium lamp: 18000 lm
 250W High pressure sodium lamp: 33200 lm
 175W High pressure mercury lamp: 7350 lm
 250W High pressure mercury lamp: 13000 lm
 The data from Philips lamp




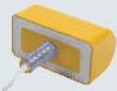


BAT53-400-□□□

Rated luminous flux
 400W Metal halide lamp: 41000 lm
 400W High pressure sodium lamp: 56500 lm
 The data from Philips lamp



We can provide lighting design and data by professional lighting software DIALUX based upon simulated site situation on request.

Accessories

Picture	Name	Ordering code	Weight (kg)
	Explosion-proof electronic trigger (125, 250, 400 type)	61034	0.30
	125 Explosion-proof capacitor	53012	0.45
	250 Explosion-proof capacitor	53013	0.45
	400 Explosion-proof capacitor	53014	0.55
	125 Movable support	53015	1.80
	250 Movable support	53016	2.35

Note: Ballast see P1/19

